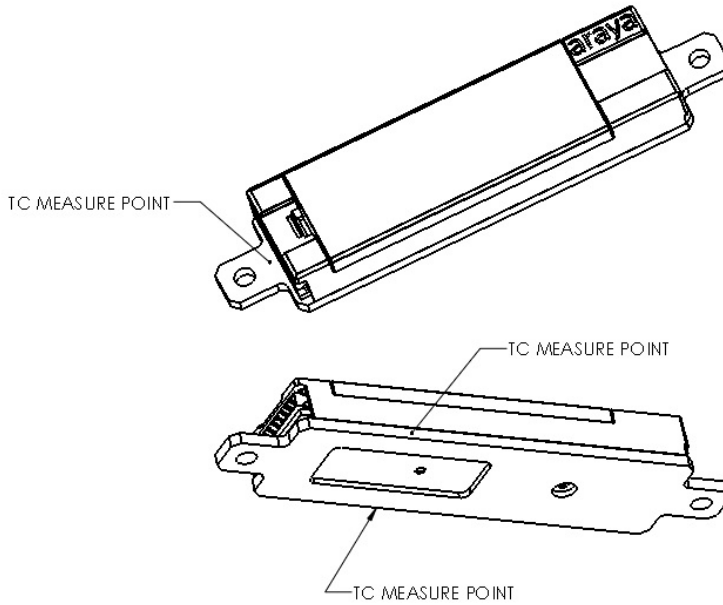


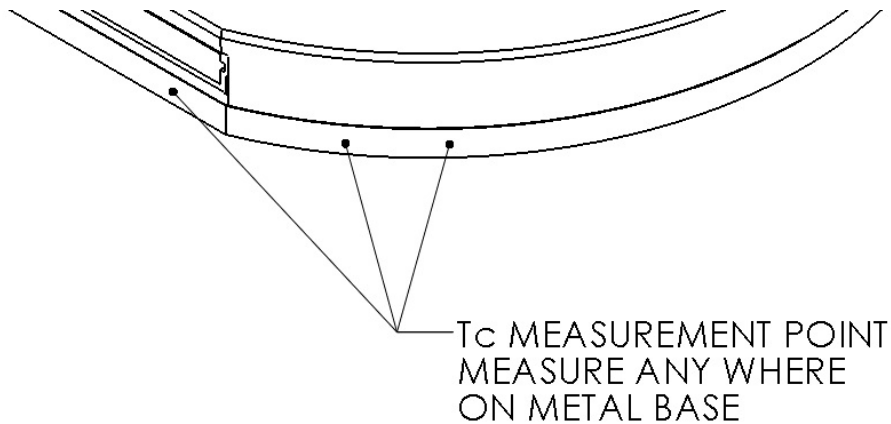
9 CASE TEMPERATURE MEASUREMENT POINTS

9.1 araya⁵ Logic Module (ALM) Case Temperature (T_c) Measurement Points



MAXIMUM CASE TEMPERATURE (T_c) FOR ALM: 70°C

9.2 Round LED Array Case Temperature (T_c) Measurement Point



Maximum Case Temperature (T_c) for Round LED Array: 90°C