

## 8 WIRING DIAGRAMS

### 8.1 0-10V Best Wiring Practice

Best practice is to limit the distance run for the analog control wiring from the controller to the last driver to 300'. This is based on 18 AWG wire. It is possible to extend the run to 400' by using 16 AWG wire, but that should be considered carefully as an exception to best design practice.

Whenever any part of the control circuit (the driver, dimer, or wire used) is designed for use in a Class 2 installation, it is critical that the entire control circuit be kept separate from Class 1 line voltage wiring per the requirement of National Electric Code, section 725.136. The electrical drawings must be very clear that class 1 and class 2 wiring cannot be combined. There must be separation because: a) it is possible for higher voltage wiring to induce an AC voltage in to the low voltage signal wiring; and, b) undesirable visual artifacts in the dimmed lighting can be caused when the line and low voltage wiring is run together (especially for long distances). We do not recommend installing the low voltage signal wiring in the same conduit or raceway as line voltage wiring even when all elements of the control circuit are listed for Class 1 wiring methods.

### 0-10V Dimmers (recommended list)\*

Crestron  
ETC  
Fresco  
Legrand  
Leviton  
Lutron  
Nexlight  
N-Light  
Pass & Seymour  
Vantage  
Wattstopper

\*Recommendations are subject to change. Consult your Lumenetix representative for the most updated list.

## 8 WIRING DIAGRAMS

### 8.2 Lutron<sup>®</sup> EcoSystem Protocol

EcoSystem technology is a control method for LEDs that provides addressing of individual fixtures and status feedback. This makes it easy to digitally assign one or many fixtures without complicated wiring. This opens up an entire suite of energy-saving, system-monitoring and system-control schemes where the design, setup and rezoning are all done within software, making the electrical and control design simple.

The Digital Control Adapter complies with Lutron proprietary specifications, including misswire protection.

The adapter can be configured for one or two EcoSystem channels. "Single Channel" Ecosystem is used for DDM (Dim control only) and "Two Channel" Ecosystem is used for CTM (one channel for Dim control and one for color/CCT). The araya<sup>5</sup> modules attached to different interface boards can be controlled independently or assigned to a single group by the EcoSystem controller.

The EcoSystem control is responsible for saving any configuration settings. Once an interface board is assigned a pair of addresses, assigned addresses are saved in NVRAM. During the EcoSystem discovery process, the user pairs the desired dimming control in the controller to the Dim channel address in the interface board. The same applies for the CCT channel.

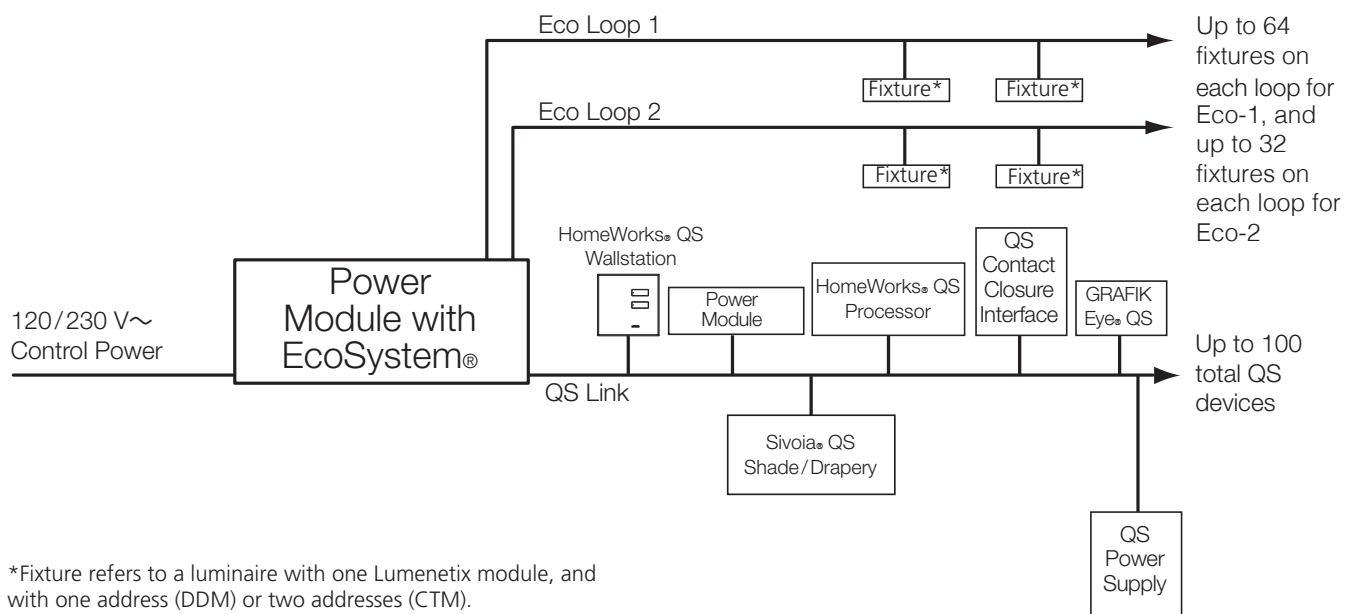
- 1 pair 16AWG Eco Loop, 900 feet (**field wiring**).
- Maximum of 64 addresses on each loop.

### EcoSystem Control Systems (recommended list)\*

- Quantum System
- HomeWorks QS
- Grafik Eye QS Control Unit with EcoSystem
- EnergiSavr Node with EcoSystem
- Power Module with EcoSystem
- PowPak RMJ-ECO-32-DV-B

\*Recommendations are subject to change. Consult your Lumenetix representative for the most updated list.

### EcoSystem Controller Example



## 8 WIRING DIAGRAMS

### 8.2.1 Lutron<sup>®</sup> EcoSystem Field Wiring

- EcoSystem Digital Loop can be wired as Mains voltage or IEC PELV/NECR Class 2 for maximum wiring flexibility..
- The Loop is polarity insensitive and can be wired in any topology..
- Consult all national and local electrical codes for separation requirements..

| Wire Gauge                   | Maximum EcoSystem-Compliant Loop Wire Length |
|------------------------------|--|
| 4.0 mm <sup>2</sup> (12 AWG) | 671 m (2200 ft)                              |
| 2.5 mm <sup>2</sup> (14 AWG) | 427 m (1400 ft)                              |
| 1.5 mm <sup>2</sup> (16 AWG) | 275 m (900 ft)                               |
| 1.0 mm <sup>2</sup> (18 AWG) | 175 m (570 ft)                               |

### Drain Wire Connections

Drain wire connections are required as follows.

#### Shielding

To add another level of protection from electromagnetic noise, a grounded shield is added over the twisted pair wires. When this is enclosed in a protective jacket, to avoid ground loops and electromagnetic contamination of the ground system, all control ground wiring, including cable shields and drain wires, should be treated like sensitive current-carrying conductors. All control ground wires should be insulated (not bare) and the same wiring practices should be observed with ground wires as with other sensitive signals. Care must also be taken when designing control wiring to ensure that each shield is connected to only a single ground point. You should establish this point at a central location, like a control panel or cabinet, and avoid all connection to grounds in the field. A control ground is sometimes referred to as an isolated ground (an oxymoron) for this reason, but the term single-point ground is more accurate.

#### Method-1

A typical two-pair shielded cable can be prepared for termination to the terminals with the drain wire cut off. This is usually done at the field end of the cable where no shield grounding is desired. You will then use insulating tape or heat-shrink tubing to protect the cable from contamination and to prevent accidental grounding of the shield or drain wire. An accidental ground at this point would almost certainly create an undesirable ground loop.

#### Method-2

A typical two-pair shielded cable can be prepared for termination to the terminals with the drain wire cut off. The drain wire, which is an uninsulated conductor, is sleeved with a insulating tubing to prevent accidental grounding. The crimp-on lug is valuable in this instance to retain the tubing. Insulating tape or heat-shrink tubing is again used to protect the cable from contamination and to prevent accidental grounding, since any accidental connection between the drain wire and a chassis, frame, or enclosure would almost certainly create a ground loop.

## 8 WIRING DIAGRAMS

### 8.3 DMX512-A Protocol

DMX512-A is an acronym for Digital Multiplex, a communication protocol used to remotely control lighting dimmers and intelligent fixtures. It is designed to provide a common communications standard between these lighting devices regardless of the manufacturer. The 512-A after the DMX refers to the number of control channels used on one network segment (often called a 'universe') of devices. In a simple dimming system, one channel controls the intensity of the fixture. A single intelligent fixture such as the araya<sup>5</sup> requires several channels to control its various parameters (one channel each for DIM, CCT, SAT, HUE).

#### DMX512A Specifications:

- DMX 512-A (Controller).
- A universe is 512 Channels.
- DMX value is between 0 and 255, where 0 is off and 255 is full on.
- The maximum number of devices in a daisy-chain wire run is 32, which include the controller and opto-splitter.
- The maximum network wire run is a distance of up to 1600 feet for non-RDM systems and up to 1000 feet for RDM systems.
- One device functions as the master (the DMX controller) on a network, while the rest function as slaves (mergers, splitters, intelligent fixtures, etc.).
- Only the controller (master) transmits over the network, and all fixtures receive the same data.
- The final device in the daisy-chain must be terminated with a 120 ohm resistor between DMX+ and DMX- pins.
- It is recommended that the terminator for the final device be located in the control panel, if it falls within the recommended wiring distance.
- All wiring must be in a continuous run and daisy-chained.
- Star wiring is only allowed in conjunction with an opto-splitter.
- Do not run DMX control cable in close proximity to AC power lines. EM spikes from switching of high-current devices such as HVAC equipment or generators will induce noise into the DMX cable.
- The shield must be carried through between modules and properly grounded at one point only.
- Connections to DMX512-A-RDM accessory board: wire size to be 24AWG, and solid or stranded cables may be used. Stranded wire used must be tinned or installed with ferule connector.

#### RDM

DMX512-A control protocol that enables Remote Device Management for two-way communications for configuration, monitoring and system setup. Allows two way communication between lighting controller and the fixtures. Allows for remote setting of DMX start addressing. RDM signals are sent back the other way, but not constantly. Controller can ask one or more devices for query feedback. RDM packets are inserted in-between the existing DMX data packets being used to control the lighting.

The DMX Control Console will broadcast up to 512 channels over one DMX cable (max. run of 1000 feet for RDM). Some of these channels may not be used, but will still be transmitted, as required by the protocol. It must be set to a desired channel (001, 002, 003, 004, etc.) to control the connected light fixture. This is usually accomplished using RDM. This desired 'channel' is commonly known as the DMX address. When addressing fixtures, it is not recommended to skip addresses.

When RDM is not available with the control system, it is permissible to use the Lumenetix commissioning tool (the araya<sup>5</sup> Tunable Color 2.0 iOS App) to set the address of the slots. The instructions to configure the DMX channels can be found in the araya<sup>5</sup> Tunable Color Instruction Manual.

The DMX512-A interface follows the ANSI E1.11-2008 (R21013) standard. Four address slots are allocated to each interface board and control the Dim level, CCT, Saturation and Hue of the araya<sup>5</sup> modules connected to the board.

#### Default DMX512-A Slot Allocation:

| Slot | Function         |
|------|------------------|
| 1    | Dim Level        |
| 2    | CCT              |
| 3    | Saturation Level |
| 4    | Hue              |

## 8 WIRING DIAGRAMS

### 8.3.1 DMX512-A Electrical Specifications

| Parameter           | Range                         | Remarks                                |
|---------------------|-------------------------------|--|
| Receiver type       | Isolated                      |  |
| ESD Protection      | ±15KV (air), ±8KV (conducted) | Per IEC 61000-4-2                      |
| Termination         | Recommended                   | The DMX512 bus termination rules apply |
| Directionality      | Receive only                  |  |
| Frequency stability | ±20ppm                        |  |
| Load per port       | 1/256                         | 1/8 of Nominal RS-485                  |
| Isolation           | 3KV <sub>rms</sub>            |  |

#### Control Systems (recommended list)\*

Choreo  
Cognito  
Crestron Greenlight System  
Entec  
ETC Mosaic  
ETC Paradigm  
Fresco  
Lutron HomeWorks QS  
Lutron Quantum  
Nicolaudie  
Pathway Connectivity  
Pharos  
Traxon Ecue  
Vantage Controls

\*Recommendations are subject to change. Consult your Lumenetix representative for the most updated list.

## 8 WIRING DIAGRAMS

### 8.3.2 DMX512-A Recommended Field Wiring

Liberty 24-2P-485 (Non-Plenum), 24 AWG, 2 pair dual 120 ohm, 11.2 pf/ft low capacitance (XLR and PHX connectors)  
 Liberty 24-2P-P485 (Plenum), 24 AWG, 2 pair dual 120 ohm, 11.2 pf/ft low capacitance (XLR and PHX connectors)  
 Belden #9842 (Non-Plenum), 24 AWG, 2 pair dual shielded 120 ohm, 12.8 pf/ft low capacitance (XLR and PHX connectors)  
 Belden #89842 (Plenum), 24 AWG, 2 pair dual shielded 120 ohm, 12.8 pf/ft low capacitance (XLR and PHX connectors)

Please refer to wire manufacturer's lighting catalog for and/equals as required by code.

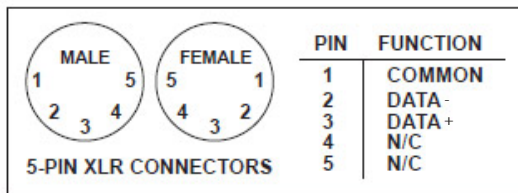
### DMX512-A Recommended Field Connectors

Use only approved connectors.

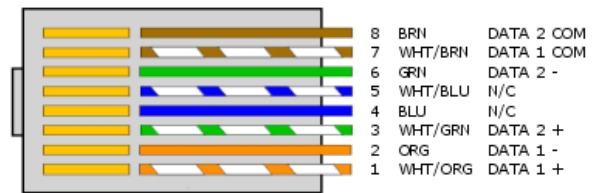
### DMX512-A Wiring Connections

| Signal                 | Description                  | Pin Colors (4-Pair Cable) | Pin Colors (2-Pair Cable) | 3-pin XLR connector | 5-Pin XLR connector |
|------------------------|------------------------------|---------------------------|---------------------------|---------------------|---------------------|
| Signal Common          |                              | White/Brown and Brown     | White/Blue and Blue       | 1                   | 1                   |
| Data (-)               | Primary Data Link            | Orange                    | Orange                    | 2                   | 2                   |
| Data (+)               | Primary Data Link            | White/Orange              | White/Orange              | 3                   | 3                   |
| Data2 (-), or not used | Optional Secondary Data Link |                           |                           |                     | 4                   |
| Data2 (+), or not used | Optional Secondary Data Link |                           |                           |                     | 5                   |

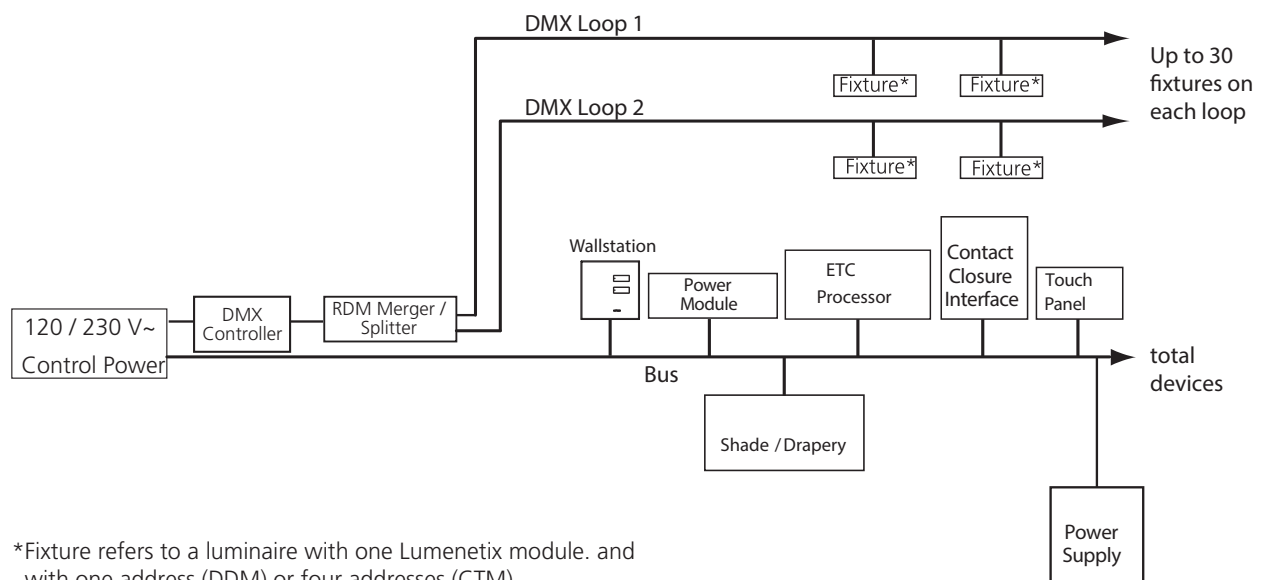
### XLR Connectors (5-Pin)



### RJ-45 Connector Pin-Out (T568B)



### DMX512-A Controller Example



\*Fixture refers to a luminaire with one Lumenetix module. and with one address (DDM) or four addresses (CTM).

## 8 WIRING DIAGRAMS

---

### 8.3.3 DMX512-A Drain Wire Connections

Drain wire connections are required as follows.

#### Shielding

To add another level of protection from electromagnetic noise, a grounded shield is added over the twisted pair wires. When this is enclosed in a protective jacket, to avoid ground loops and electromagnetic contamination of the ground system, all control ground wiring, including cable shields and drain wires, should be treated like sensitive current-carrying conductors. All control ground wires should be insulated (not bare) and the same wiring practices should be observed with ground wires as with other sensitive signals. Care must also be taken when designing control wiring to ensure that each shield is connected to only a single ground point. You should establish this point at a central location, like a control panel or cabinet, and avoid all connection to grounds in the field. A control ground is sometimes referred to as an isolated ground (an oxymoron) for this reason, but the term single-point ground is more accurate.

#### Method-1

A typical two-pair shielded cable can be prepared for termination to the terminals with the drain wire cut off. This is usually done at the field end of the cable where no shield grounding is desired. You will then use insulating tape or heat-shrink tubing to protect the cable from contamination and to prevent accidental grounding of the shield or drain wire. An accidental ground at this point would almost certainly create an undesirable ground loop.

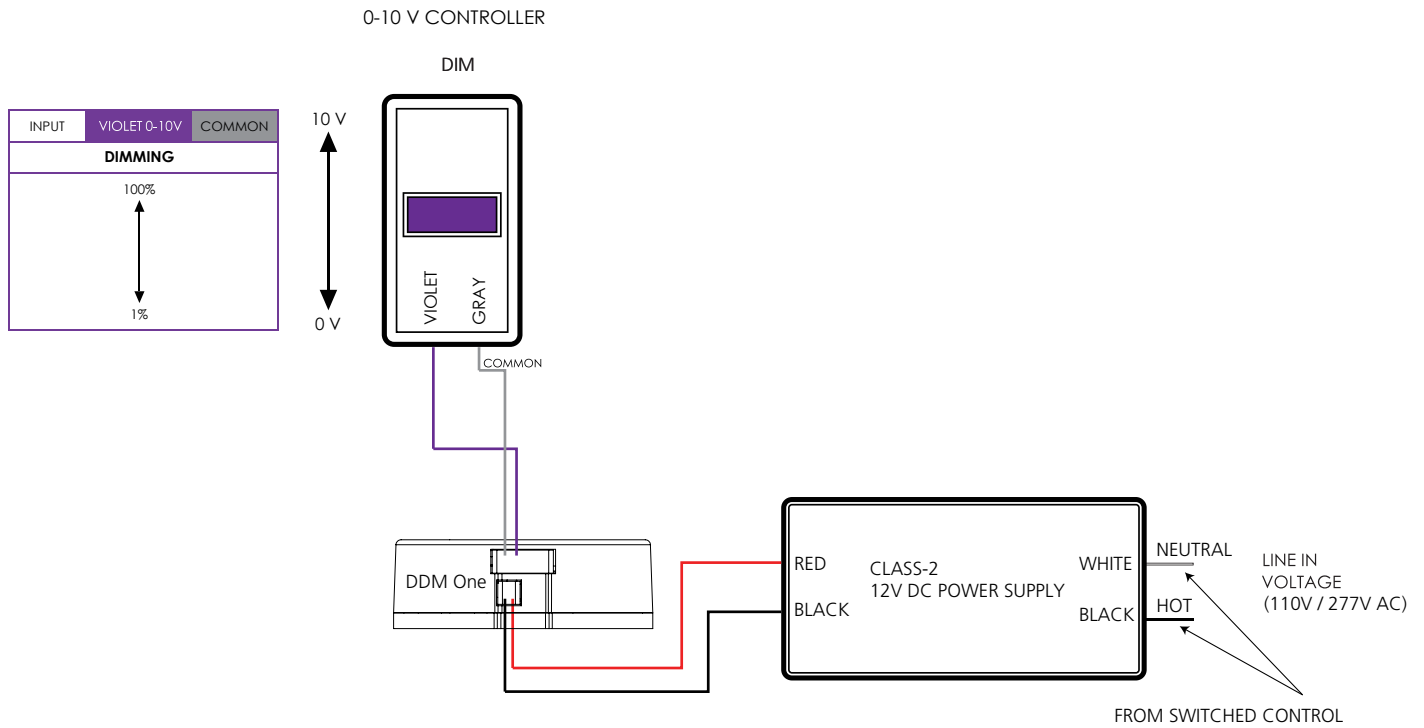
#### Method-2

A typical two-pair shielded cable can be prepared for termination to the terminals with the drain wire cut off. The drain wire, which is an uninsulated conductor, is sleeved with a insulating tubing to prevent accidental grounding. The crimp-on lug is valuable in this instance to retain the tubing. Insulating tape or heat-shrink tubing is again used to protect the cable from contamination and to prevent accidental grounding, since any accidental connection between the drain wire and a chassis, frame, or enclosure would almost certainly create a ground loop.

## 8 WIRING DIAGRAMS

### 8.4.1 0-10V Analog Control of Dimming

**0-10V Dimming Control Only.** Remove power from the DDM. Connect a 0-10V control device to violet (+) and gray (-) wires. When the DDM is powered up, the 0-10V control device will adjust Dimming from 100-1%. Preset controls are not available in this configuration.



### Lead Color and Input

| Lead Color | Input                               |
|------------|-------------------------------------|
| Red        | Power 12V DC (+)                    |
| Black      | Power Common (-)                    |
| Violet     | 0-10V Dimming (+)                   |
| Gray       | Signal Common for 0-10V Dimming (-) |

#### Notes:

1. DDM sources current to 0-10V control at 0.2mA nominal capacity.
2. Only pins 1 and 6 are used in the control cable assembly.

Lumenetix part #s:  
28.002.001.01 (power cable assembly)  
28.002.002.01 (control cable assembly)

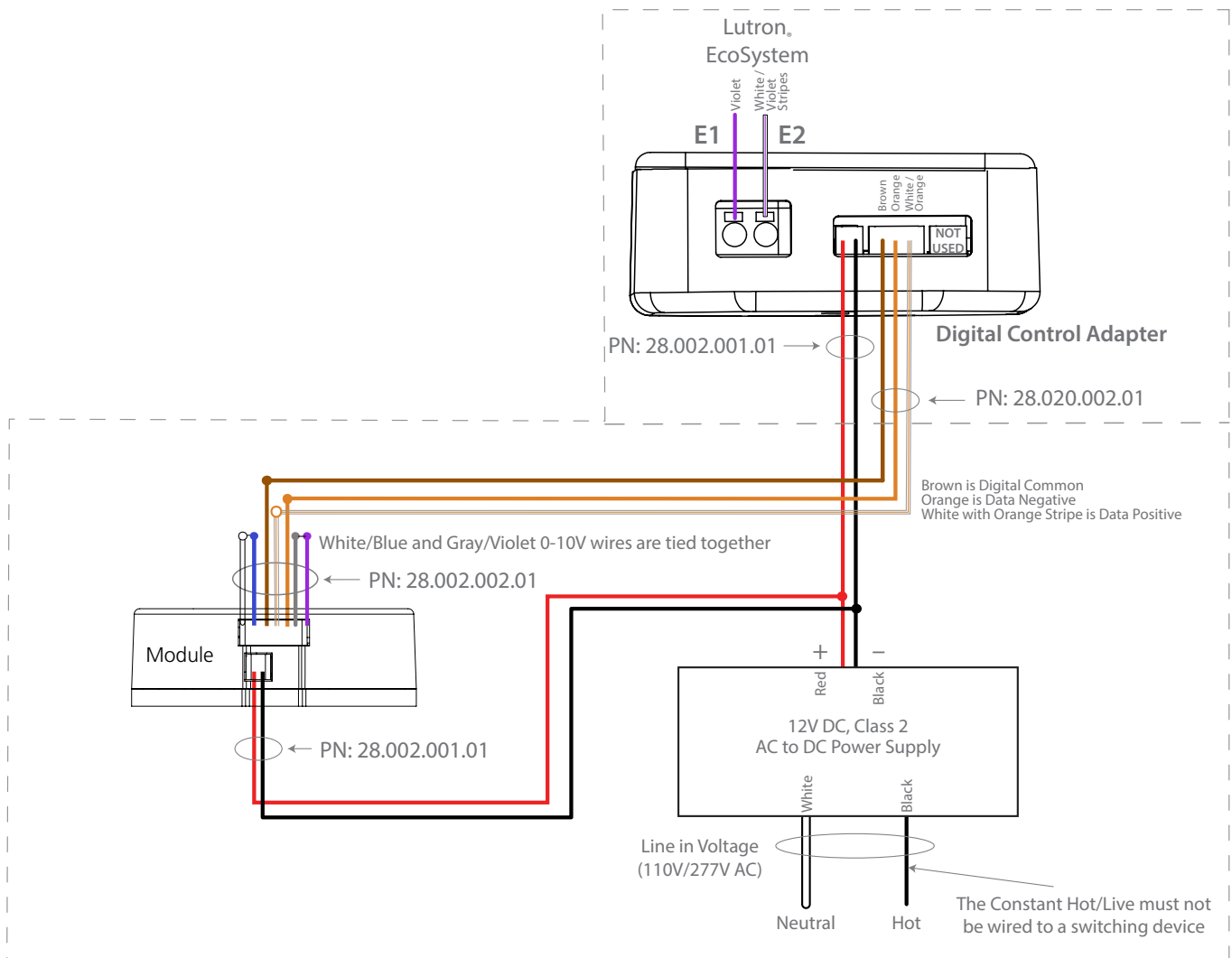


## 8 WIRING DIAGRAMS

### 8.4.2 Lutron<sup>®</sup> EcoSystem Input; DCA-1A (12V DC) Digital Control Adapter

**Notes:**

1. 12V power (red/black) is Class-2 rated.
2. Module Data +/- (white with orange stripe/orange) to araya<sup>5</sup> modules is Class-2 rated.
3. Adapter is configured at factory for EcoSystem inputs.
4. DCA may be installed in the luminaire only.
5. One EcoSystem address (1 channel for warm-dim) per DDM module/DCA kit.
6. EcoSystem Channel 1 is always Intensity control.
7. In the EcoSystem programming mode, EcoSystem Channel 1 controls the intensity from 100%-1%.
8. CAUTION: The power cable should ONLY be plugged into the 2-pin power receptacle provided. Insertion of the cable into any other slot will damage the Digital Control Adapter unit.
9. LX Output used with this system.



## 8 WIRING DIAGRAMS

### 8.4.3 DMX Input; DCA-1B (12V DC) Digital Control Adapter

**Notes:**

1. 12V power (red/black) is Class-2 rated.
2. Module Data +/- (white with orange stripe/orange) to araya<sup>5</sup> modules is Class-2 rated.
3. Adapter is configured at factory for DMX (including Bluetooth) inputs.
4. DCA may be installed in the luminaire only.
5. CAUTION: The power cable should ONLY be plugged into the 2-pin power receptacle provided. Insertion of the cable into any other slot will damage the Digital Control Adapter unit.
6. LX Output used with this system.

