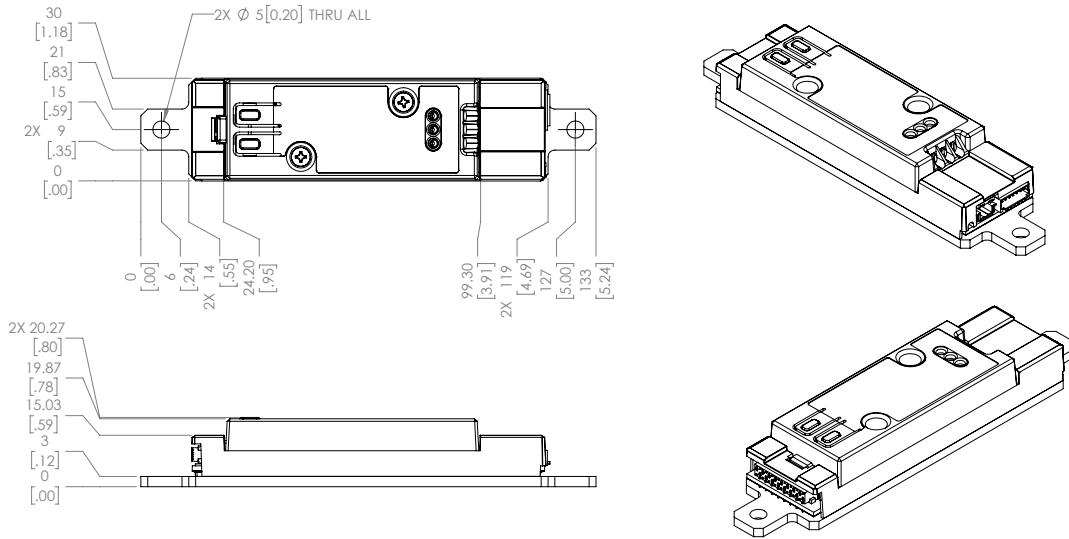


7 WATTSTOPPER DLM — LMLM MODULE

7.1 araya⁵ Logic Module with Legrand Wattstopper's DLM LMLM Module

ALM Dimensions (H x W x L)	H = 20.27 mm (0.80 in.); W = 30 mm (1.18 in.); L = 133 mm (5.24 in.)
----------------------------	--



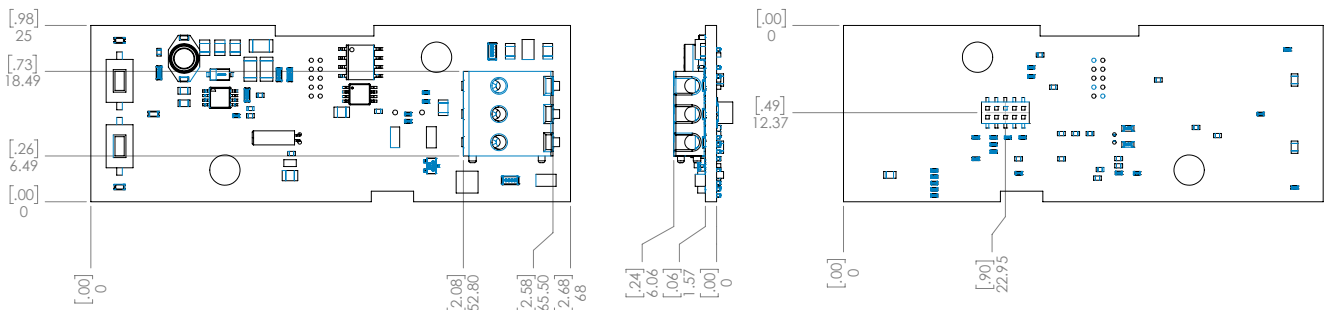
araya⁵ Logic Module with LMLM Module and Cover
Dimensions outside parentheses are in millimeters. Dimensions within parentheses are in inches.
The mounting holes are 5 mm in diameter.

7.2 Mechanical Specifications (LMLM Module)

Lumenix part #:
80.003.003.03

Wire Specifications:
Solid 20/3 AWG, red/blue/black

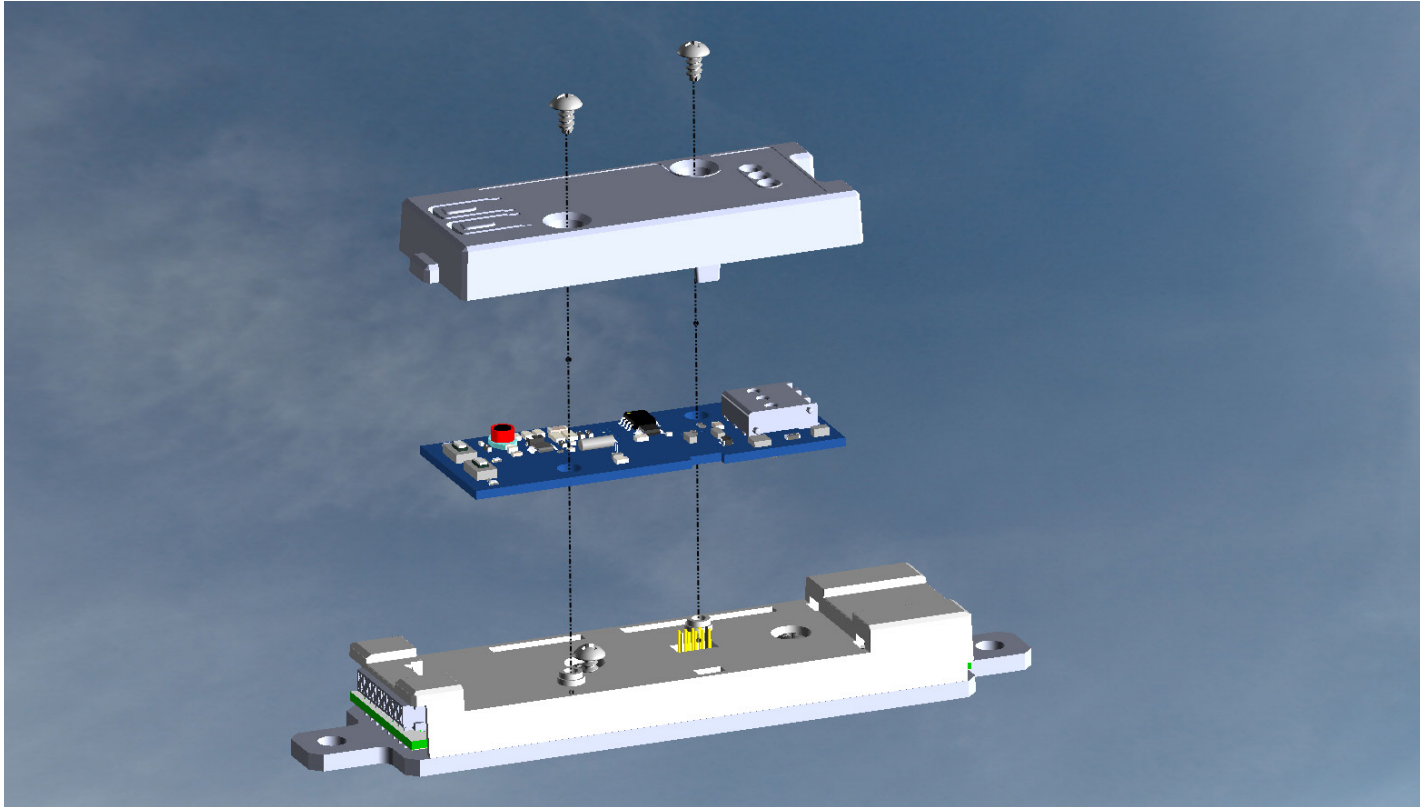
Connector:
TE 2834006-3



Legrand Wattstopper DLM LMLM Module
Dimensions outside parentheses are in millimeters. Dimensions within parentheses are in inches.

7 WATTSTOPPER DLM — LMLM MODULE

7.3 Mounting Specifications (LMLM Module)



The LMLM Module is mounted on the 10-pin header and located on the two bosses, and then captured in place to the ALM with two (2) self-tapping screws.

Screw Specifications: Phillips Rounded Head Thread-Forming Screws for Plastic, 18-8 Stainless Steel, Number 4 Size, 1/8" Long; McMasterCarr # 99461A105.

Torque Specifications: 2.0 to 2.5 in-lb

CAUTION: The screws are very small and are self-threaded into small plastic bosses. Overtorquing will strip the plastic and damage the ALM housing.

Please refer to the Legrand Wattstopper website for detailed specifications, wiring diagrams and installation instructions:
<https://www.legrand.us/categories/lightingcontrolsbuildingsystems/human-centric-lighting/led-light-engines.aspx>