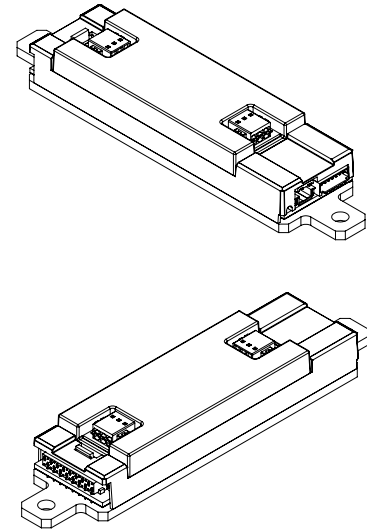
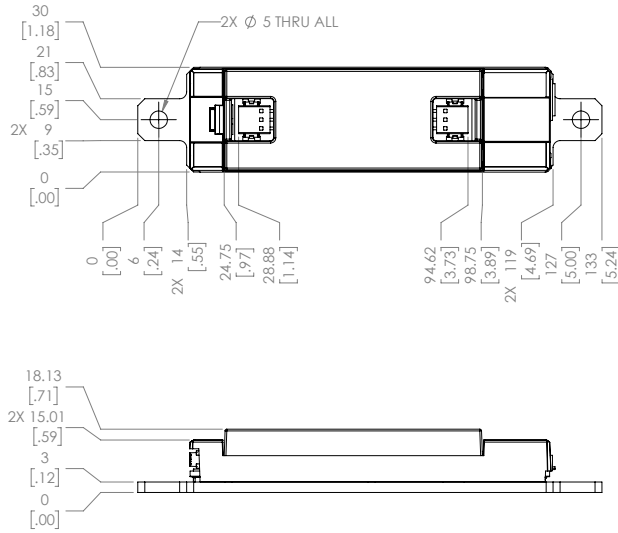


5 DMX512-A ACCESSORY BOARD

5.1 araya⁵ Logic Module with DMX512-A-RDM Accessory Board

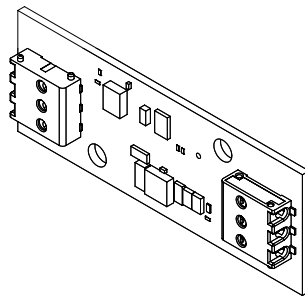
| | |
|----------------------------|--|
| ALM Dimensions (H x W x L) | H = 17.61 mm (0.69 in.); W = 30 mm (1.18 in.); L = 133 mm (5.24 in.) |
|----------------------------|--|



araya⁵ Logic Module with DMX Accessory Board and Cover
Dimensions outside parentheses are in millimeters. Dimensions within parentheses are in inches.
The mounting holes are 5 mm in diameter.

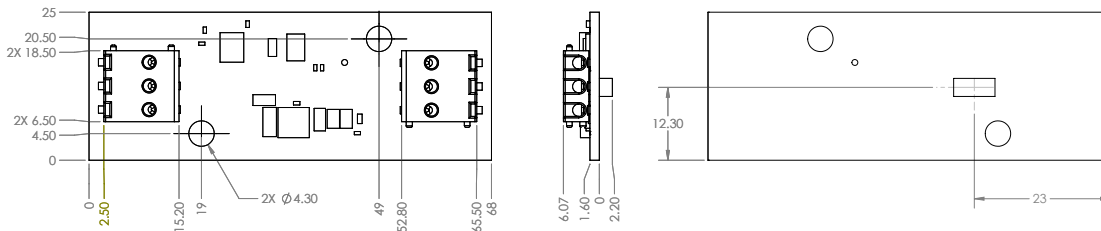
5.2 Mechanical Specifications (DMX512-A-RDM Accessory Board)

Lumenix part #:
80.003.001.01



Wire Specifications:
22-24 AWG, stranded tinned copper (TC) only

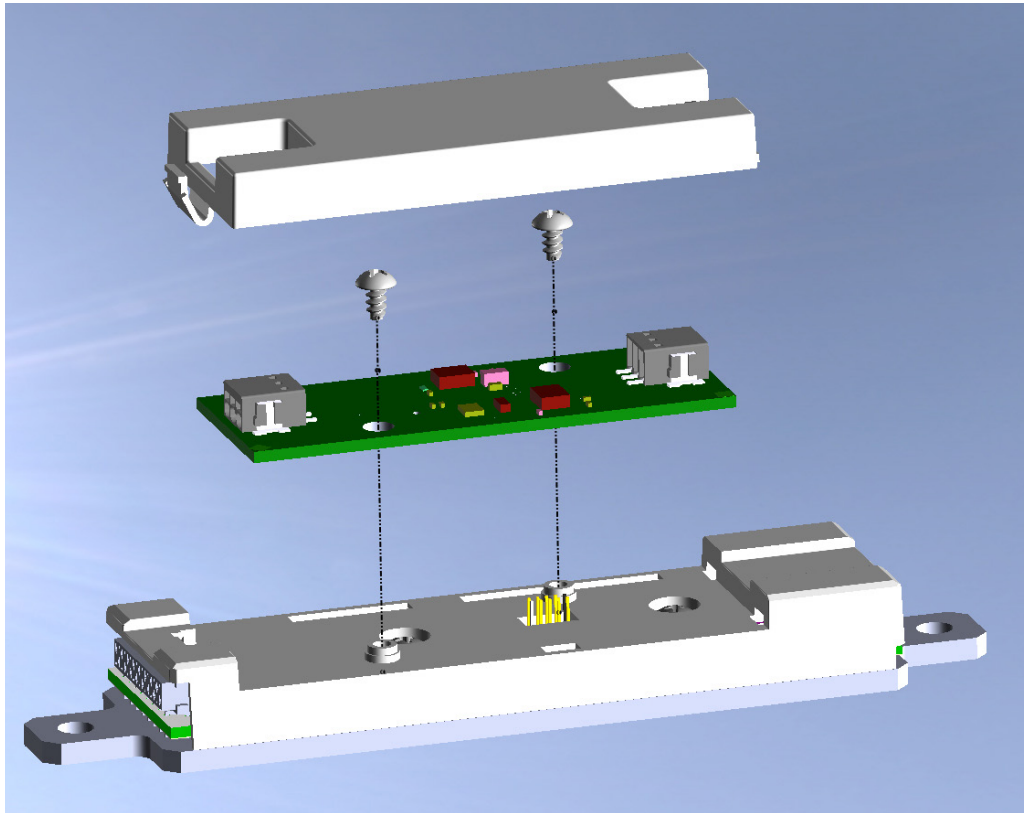
Connector:
Phoenix Contact 1771033



DMX Accessory Board
All dimensions are in millimeters.

5 DMX512-A ACCESSORY BOARD

5.3 Mounting Specifications (DMX Accessory Board)



The Accessory Board is mounted on the 10-pin header and located on the two bosses, and then captured in place to the ALM with two (2) self-tapping screws.

Screw Specifications: Phillips Rounded Head Thread-Forming Screws for Plastic, 18-8 Stainless Steel, Number 4 Size, 1/8" Long; McMasterCarr # 99461A105.

Torque Specifications: 2.0 to 2.5 in-lb

CAUTION: The screws are very small and are self-threaded into small plastic bosses. Overtorquing will strip the plastic and damage the ALM housing.