

2 ELECTRICAL & MECHANICAL SPECIFICATIONS

Electrical Specifications

Input Voltage	24V DC
Nominal Power Input	35, 25, 18 and 12.5 Watts
Nominal Current Input	35W: 1.46A; 25W: 1.04A; 18W: 0.75A; 12.5W: 0.52A
Power Supply Classification	Class 2
Power Connector	Molex 874380243 (requires Molex 874390200)
Control Connector	Molex 874370543 (requires Molex 874390700)
Control Options ¹	0 - 10V, DMX512-A-RDM ² , Bluetooth Low Energy, Bluetooth Mesh**, Lutron® EcoSystem
CCT and Dimming Control Connections	Connector harness, 24 gauge leads

1. DMX channel configuration is done via RDM or optional wireless Tunable Color iOS app. Lutron EcoSystem and DALI Type 8 require optional Digital Control Adapter.

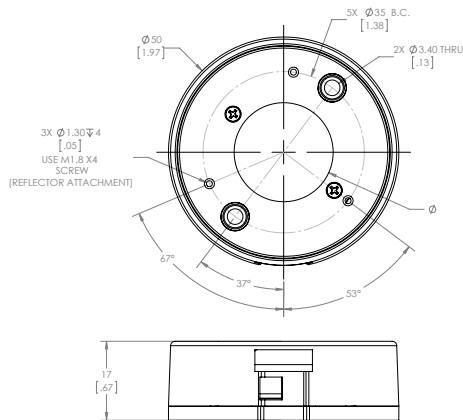
2. Remote Device Management or RDM is a protocol enhancement to DMX512-A that allows bi-directional communication between a lighting or system controller and attached RDM compliant devices over a standard DMX line.

**Fall 2017.

Mechanical Specifications

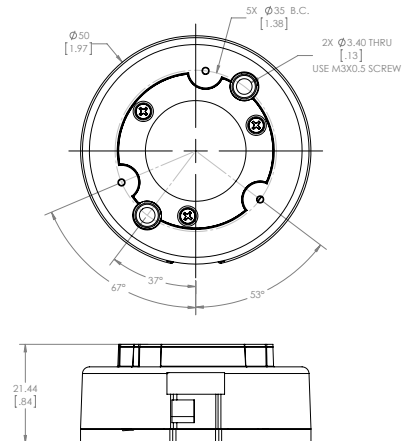
Dimensions	Diameter:	1.97 inches (50 mm)
	Height:	0.67 inches (17 mm); CTM 119NR: 0.84 inches (21.44 mm)
Light Emitting Surface	9.5, 12.75 and 22 mm	
Weight	0.12 pounds (0.06kg)	
Heat Sink Attachment	Front mount, M2.5 or 4-40 Screws	
Max Case Temperature	≤80°C	

CTM 119, CTM 112, CTM 109

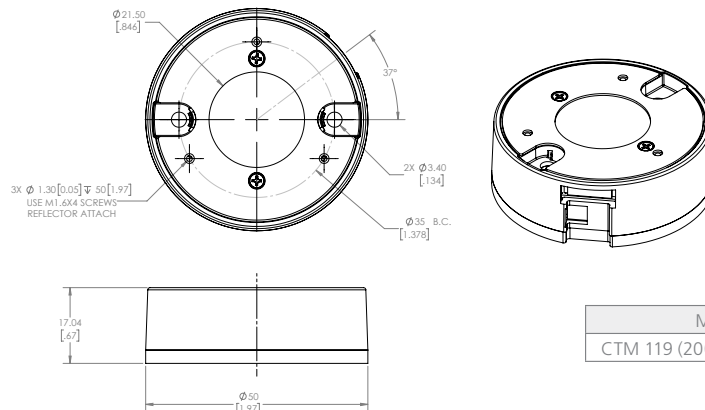


Model	LES Diameter
CTM 109	9.5 mm (0.37 inches)
CTM 112	12.75 mm (0.50 inches)
CTM 119	22 mm (0.87 inches)

CTM 119NR – Raised Face



CTM 119 (2000 lumens, 35W)



Model	LES Diameter
CTM 119 (2000 lumens, 35W)	22 mm (0.87 inches)