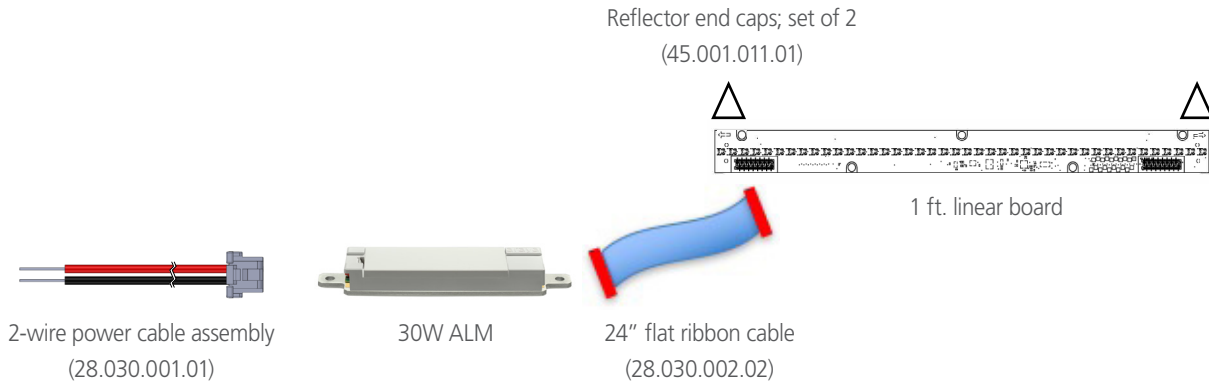


## 15 LINEAR ARRAY CONFIGURATION EXAMPLES

### 15.1 1-Foot Linear Array Configuration Example



**1' Linear LED Array Kit:** 80.001.090.01

Ordering code includes: one 1' linear LED board and 30W araya<sup>5</sup> Logic Module.  
 0-10V; Bluetooth-enabled for iOS commissioning.

**To implement the above configuration, the following items must be added to the order:**

- 2-wire power cable assembly: 28.030.001.01
- 24" flat ribbon cable; 16-pin Tyco connectors at each end: 28.030.002.02
- Reflector end caps (set of 2): 45.001.011.01

**To implement 0-10V Control of the above, the following items must also be added to the order:**

- 7-wire control cable assembly: 28.002.002.01

**To implement DMX512-A control of the above, the following items must also be added to the order:**

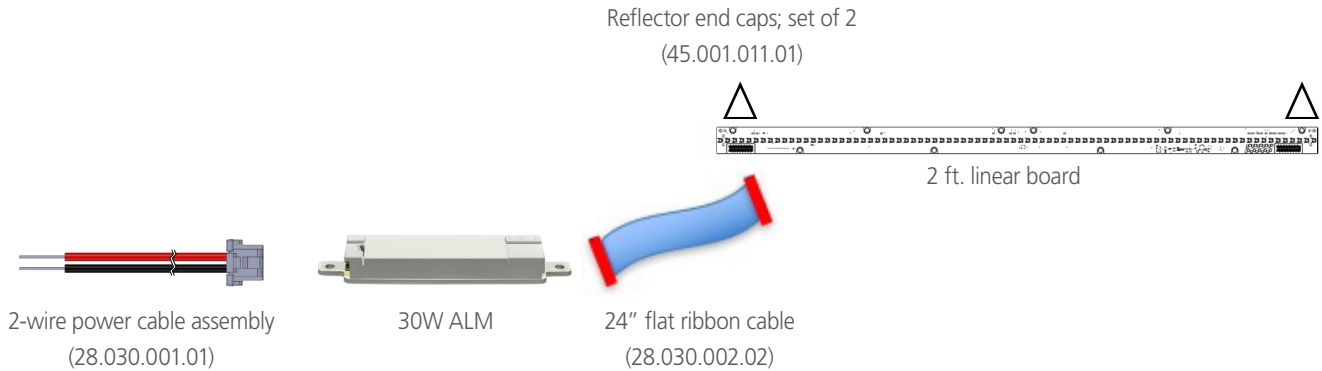
- DMX512-A-RDM Accessory Board: 80.003.001.01

**To implement Lutron EcoSystem control of the above, the following items must also be added to the order:**

- Lutron Accessory Board: 80.003.002.02

## 15 LINEAR ARRAY CONFIGURATION EXAMPLES

### 15.2 2-Foot Linear Array Configuration Example



**2' Linear LED Array Kit:** 80.001.091.01

Ordering code includes: one 2' linear LED board and 30W araya<sup>5</sup> Logic Module.  
0-10V; Bluetooth-enabled for iOS commissioning.

**To implement the above configuration, the following items must be added to the order:**

2-wire power cable assembly: 28.030.001.01  
24" flat ribbon cable; 16-pin Tyco connectors at each end: 28.030.002.02  
Reflector end caps (set of 2): 45.001.011.01

**To implement 0-10V Control of the above, the following items must also be added to the order:**

7-wire control cable assembly: 28.002.002.01

**To implement DMX512-A control:**

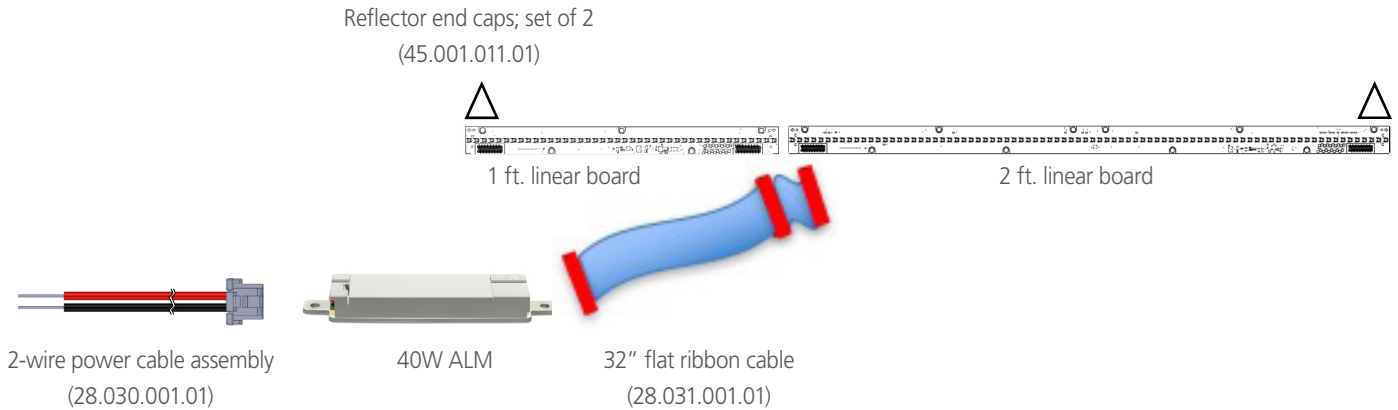
DMX512-A-RDM Accessory Board: 80.003.001.01

**To implement Lutron EcoSystem control of the above, the following items must also be added to the order:**

Lutron Accessory Board: 80.003.002.02

## 15 LINEAR ARRAY CONFIGURATION EXAMPLES

### 15.3 3-Foot Linear Array Configuration Example



#### 3' Linear LED Array Kit: 80.001.092.01

Ordering code includes: one 2' linear LED board, one 1' linear LED board and 40W araya<sup>5</sup> Logic Module.  
0-10V; Bluetooth-enabled for iOS commissioning.

#### To implement the above configuration, the following items must be added to the order:

2-wire power cable assembly: 28.030.001.01  
32" flat ribbon cable; 16-pin Tyco connectors at 0", 24" and 32": 28.031.001.01  
Reflector end caps (set of 2): 45.001.011.01

#### To implement 0-10V Control of the above, the following items must also be added to the order:

7-wire control cable assembly: 28.002.002.01

#### To implement DMX512-A control:

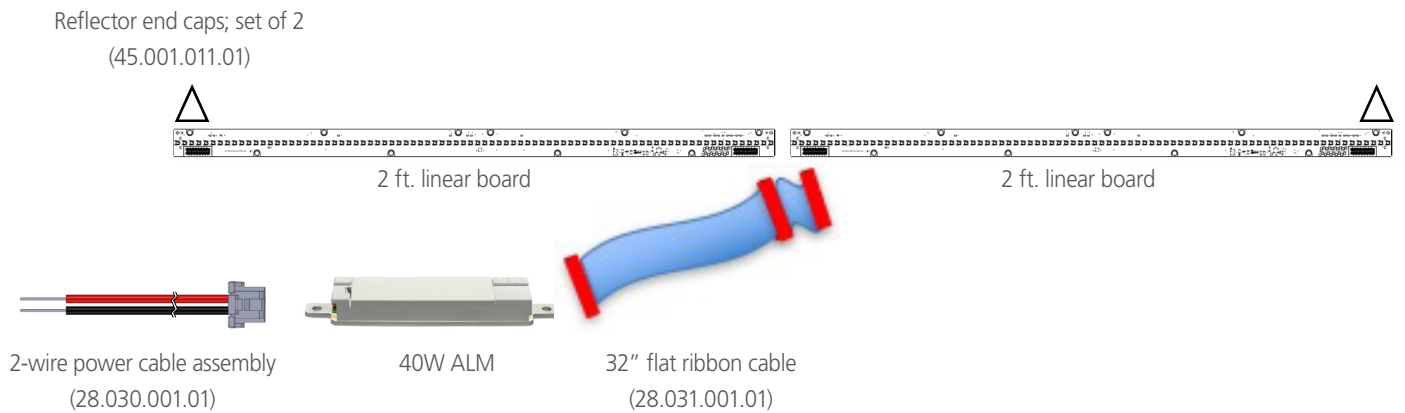
DMX512-A-RDM Accessory Board: 80.003.001.01

#### To implement Lutron EcoSystem control of the above, the following items must also be added to the order:

Lutron Accessory Board: 80.003.002.02

## 15 LINEAR ARRAY CONFIGURATION EXAMPLES

### 15.4 4-Foot Linear Array Configuration Example



#### 4' Linear LED Array Kit: 80.001.093.01

Ordering code includes: two 2' linear LED boards and 40W araya<sup>5</sup> Logic Module.  
0-10V; Bluetooth-enabled for iOS commissioning.

#### To implement the above configuration, the following items must be added to the order:

2-wire power cable assembly: 28.030.001.01  
32" flat ribbon cable; 16-pin Tyco connectors at 0", 24" and 32": 28.031.001.01  
Reflector end caps (set of 2): 45.001.011.01

#### To implement 0-10V Control of the above, the following items must also be added to the order:

7-wire control cable assembly: 28.002.002.01

#### To implement DMX512-A control:

DMX512-A-RDM Accessory Board: 80.003.001.01

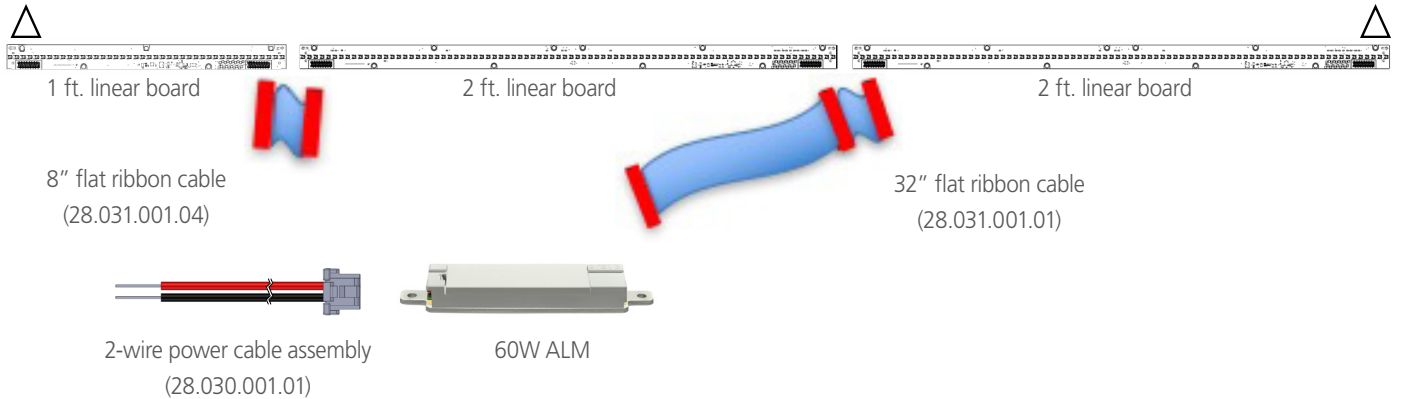
#### To implement Lutron EcoSystem control of the above, the following items must also be added to the order:

Lutron Accessory Board: 80.003.002.02

## 15 LINEAR ARRAY CONFIGURATION EXAMPLES

### 15.5 5-Foot Linear Array Configuration Example

Reflector end caps; set of 2  
(45.001.011.01)



**5' Linear LED Array Kit:** 80.001.094.01

Ordering code includes: two 2' linear LED boards, one 1' linear LED board and 60W araya<sup>5</sup> Logic Module.  
0-10V; Bluetooth-enabled for iOS commissioning.

**To implement the above configuration, the following items must be added to the order:**

2-wire power cable assembly: 28.030.001.01  
32" flat ribbon cable; 16-pin Tyco connectors at 0", 24" and 32": 28.031.001.01  
8" flat ribbon cable; 16-pin Tyco connectors at each end: 28.030.001.04  
Reflector end caps (set of 2): 45.001.011.01

**To implement 0-10V Control of the above, the following items must also be added to the order:**

7-wire control cable assembly: 28.002.002.01

**To implement DMX512-A control:**

DMX512-A-RDM Accessory Board: 80.003.001.01

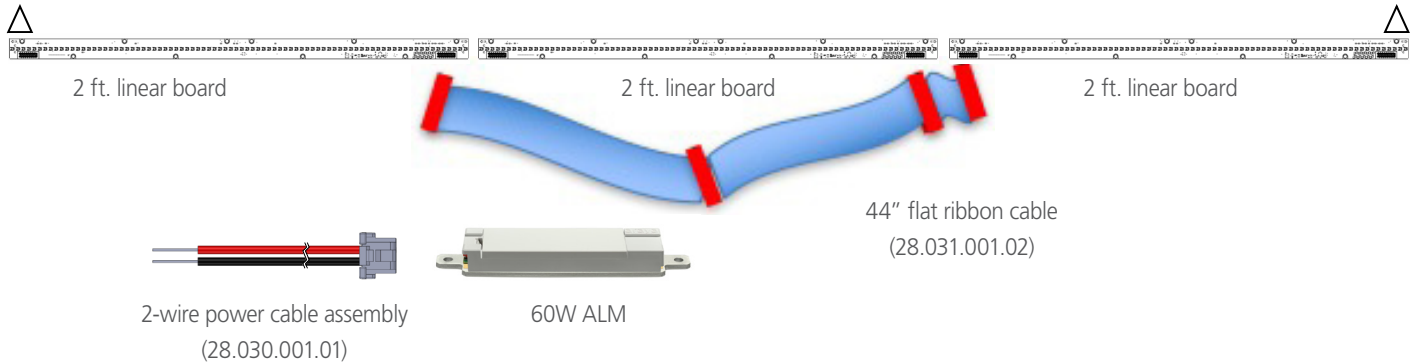
**To implement Lutron EcoSystem control of the above, the following items must also be added to the order:**

Lutron Accessory Board: 80.003.002.02

## 15 LINEAR ARRAY CONFIGURATION EXAMPLES

### 15.6 6-Foot Linear Array Configuration Example

Reflector end caps; set of 2  
(45.001.011.01)



**6' Linear LED Array Kit:** 80.001.095.01

Ordering code includes: three 2' linear LED boards and 60W araya<sup>5</sup> Logic Module.  
0-10V; Bluetooth-enabled for iOS commissioning.

**To implement the above configuration, the following items must be added to the order:**

2-wire power cable assembly: 28.030.001.01  
44" flat ribbon cable; 16-pin Tyco connectors at -20", -12", 0", and 24": 28.031.001.02  
Reflector end caps (set of 2): 45.001.011.01

**To implement 0-10V Control of the above, the following items must also be added to the order:**

7-wire control cable assembly: 28.002.002.01

**To implement DMX512-A control:**

DMX512-A-RDM Accessory Board: 80.003.001.01

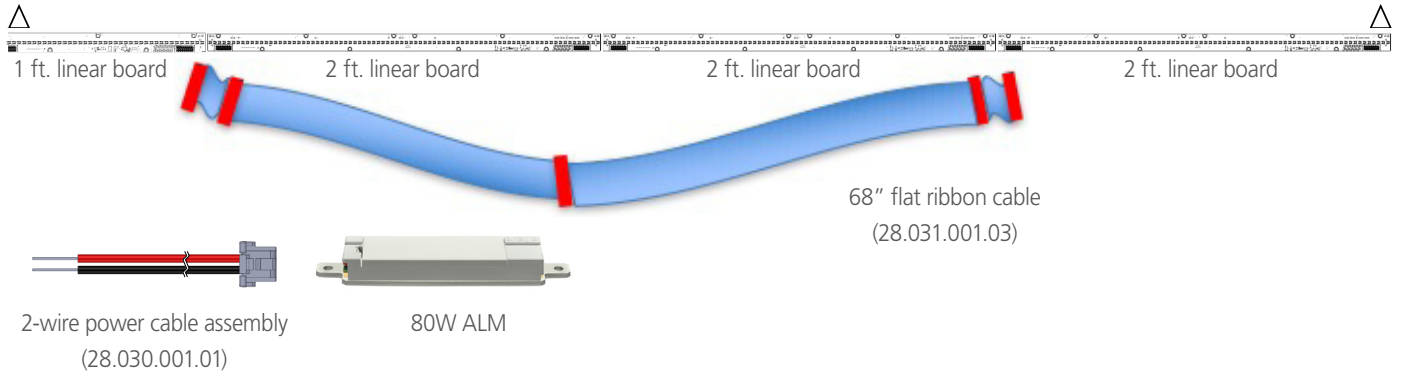
**To implement Lutron EcoSystem control of the above, the following items must also be added to the order:**

Lutron Accessory Board: 80.003.002.02

## 15 LINEAR ARRAY CONFIGURATION EXAMPLES

### 15.7 7-Foot Linear Array Configuration Example

Reflector end caps; set of 2  
(45.001.011.01)



**7' Linear LED Array Kit:** 80.001.096.01

Ordering code includes: three 2' linear LED boards, one 1' linear board and 80W araya<sup>5</sup> Logic Module.  
0-10V; Bluetooth-enabled for iOS commissioning.

**To implement the above configuration, the following items must be added to the order:**

2-wire power cable assembly: 28.030.001.01

68" flat ribbon cable; 16-pin Tyco connectors at -34", -26", 0", 26" and 34": 28.031.001.03

Reflector end caps (set of 2): 45.001.011.01

**To implement 0-10V Control of the above, the following items must also be added to the order:**

7-wire control cable assembly: 28.002.002.01

**To implement DMX512-A control:**

DMX512-A-RDM Accessory Board: 80.003.001.01

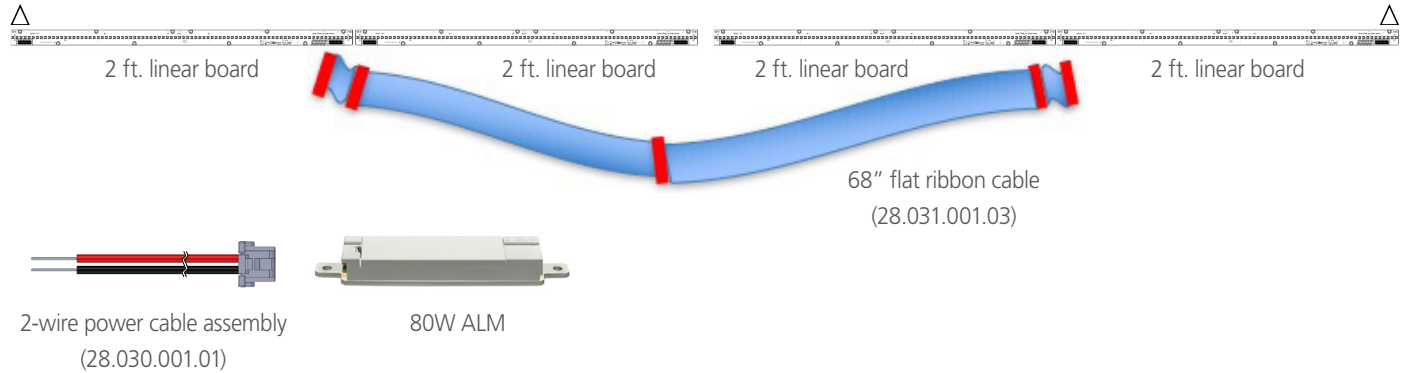
**To implement Lutron EcoSystem control of the above, the following items must also be added to the order:**

Lutron Accessory Board: 80.003.002.02

## 15 LINEAR ARRAY CONFIGURATION EXAMPLES

### 15.8 8-Foot Linear Array Configuration Example

Reflector end caps; set of 2  
(45.001.011.01)



**8' Linear LED Array Kit:** 80.001.097.01

Ordering code includes: Four 2' linear LED boards and 80W araya<sup>5</sup> Logic Module.  
0-10V; Bluetooth-enabled for iOS commissioning.

**To implement the above configuration, the following items must be added to the order:**

2-wire power cable assembly: 28.030.001.01

68" flat ribbon cable; 16-pin Tyco connectors at -34", -26", 0", 26" and 34": 28.031.001.03

Reflector end caps (set of 2): 45.001.011.01

**To implement 0-10V Control of the above, the following items must also be added to the order:**

7-wire control cable assembly: 28.002.002.01

**To implement DMX512-A control:**

DMX512-A-RDM Accessory Board: 80.003.001.01

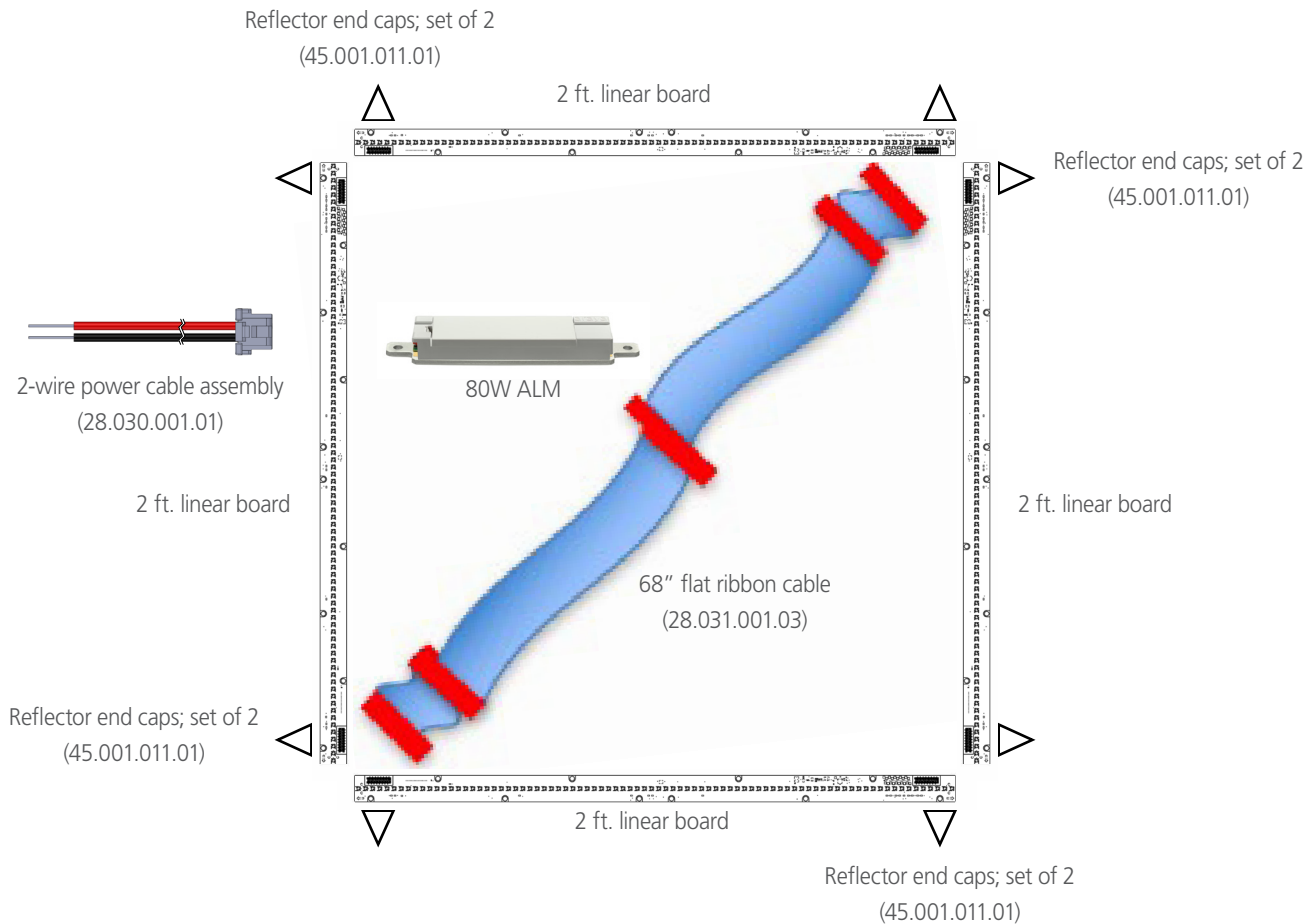
**To implement Lutron EcoSystem control of the above, the following items must also be added to the order:**

Lutron Accessory Board: 80.003.002.02



## 15 LINEAR ARRAY CONFIGURATION EXAMPLES

### 15.9 8-Foot Square-Shaped Linear Array Configuration Example



**8' Linear LED Array Kit:** 80.001.097.01

Ordering code includes: four 2' linear LED boards and 80W araya<sup>5</sup> Logic Module.  
0-10V; Bluetooth-enabled for iOS commissioning.

**Required accessories (ordered separately):**

- 2-wire power cable assembly: 28.030.001.01
- 68" flat ribbon cable; 16-pin Tyco connectors at -34", -26", 0", 26" and 34": 28.031.001.03
- Reflector end caps (set of 2): 45.001.011.01 **(four orders)**

**To implement 0-10V Control:**

7-wire control cable assembly: 28.002.002.01

**To implement DMX512-A control:**

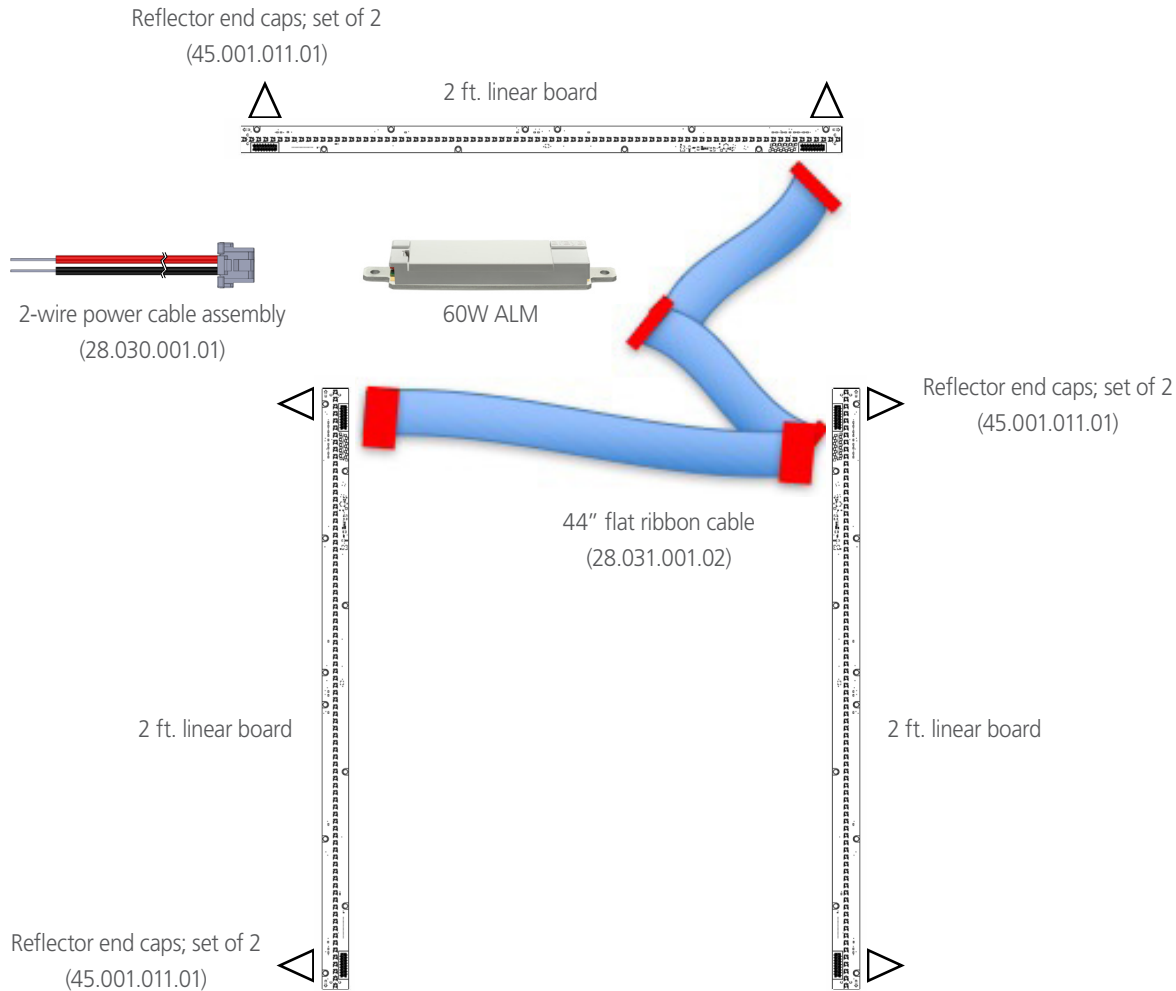
DMX512-A-RDM Accessory Board: 80.003.001.01

**To implement Lutron EcoSystem control:**

Lutron Accessory Board: 80.003.002.02

## 15 LINEAR ARRAY CONFIGURATION EXAMPLES

### 15.10 6-Foot U-Shaped Linear Array Configuration Example



**6' Linear LED Array Kit:** 80.001.095.01

Ordering code includes: three 2' linear LED boards and 60W araya<sup>5</sup> Logic Module.  
0-10V; Bluetooth-enabled for iOS commissioning.

**Required accessories (ordered separately):**

- 2-wire power cable assembly: 28.030.001.01
- 44" flat ribbon cable; 16-pin Tyco connectors at -20", -12", 0", and 24": 28.031.001.02
- Reflector end caps (set of 2): 45.001.011.01 **(three orders)**

**To implement 0-10V Control:**

7-wire control cable assembly: 28.002.002.01

**To implement DMX512-A control:**

DMX512-A-RDM Accessory Board: 80.003.001.01

**To implement Lutron EcoSystem control:**

Lutron Accessory Board: 80.003.002.02