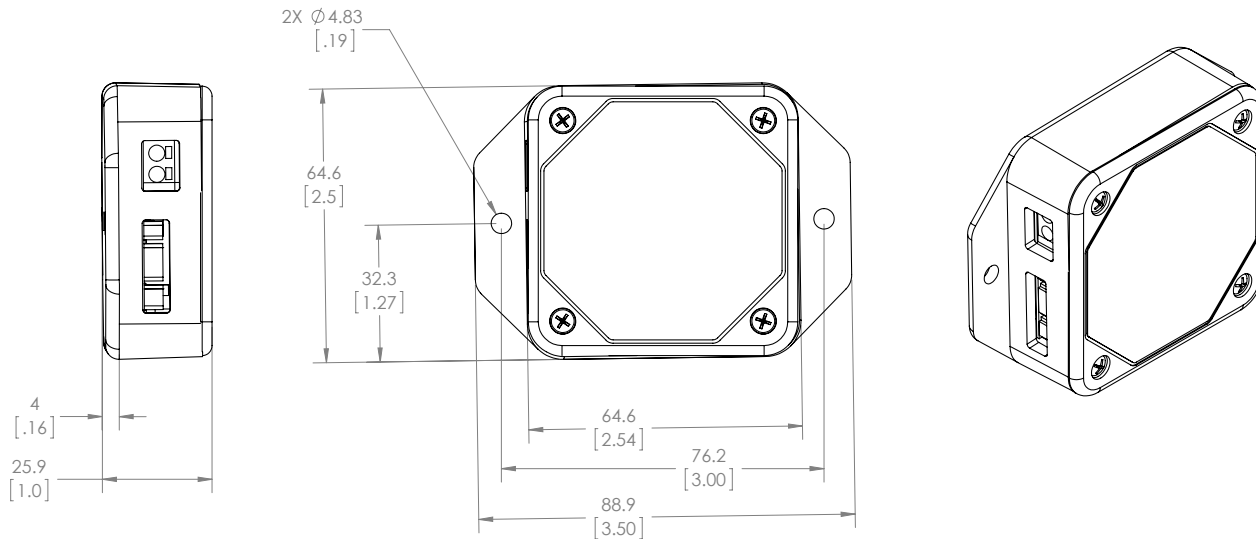


3 MECHANICAL DRAWING & WIRING SPECIFICATIONS

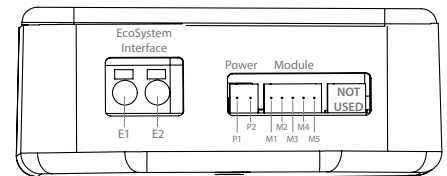
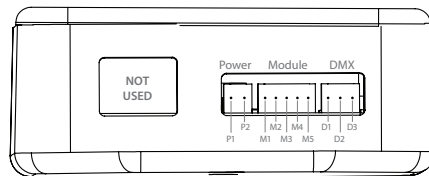
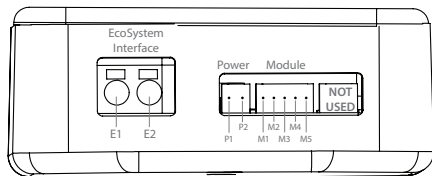
Mechanical Drawing



Side view – araya⁵ Digital Control Adapter (Lutron, EcoSystem input) DCA-1A

Side view – araya⁵ Digital Control Adapter (DMX input) DCA-1B

Side view – araya⁵ Digital Control Adapter (Lutron, EcoSystem input) DCA-2



Wiring Specifications

	Pin	Wire Color	Pin Function	Wiring Description
Lutron [®] EcoSystem Interface (Input)	E1	Violet	Non-polarized Bus Terminal	2 Position Terminal Block 16 AWG solid wire Lutron PN: C-CBL-216-GR-1
	E2	Violet / White		
Power	P1	Red	Power 12V DC or 24V DC (+)	2 Position Molex Pico-SPOX Lumenetix PN: 28.002.001.01 Length: 610 mm (24 inches)
	P2	Black	Power Common (-)	
Module Interface (LX or DMX Output)*	M1	N/A	Reserved for future use	5 Position Molex Pico-SPOX Lumenetix PN: 28.020.002.01 Length: 610 mm (24 inches)
	M2	N/A	Reserved for future use	
	M3	Brown	Digital Common	
	M4	Orange	araya [®] Module Bus, Data -	
	M5	White with Orange Stripe	araya [®] Module Bus, Data +	
DMX Interface (Input)	D1	Black	Digital Common	3 Position Molex Pico-SPOX 24 AWG stranded wire Lumenetix PN: 28.020.001.01 Length: 610 mm (24 inches)
	D2	Violet	DMX Data +	
	D3	Gray	DMX Data -	

CAUTION: The power cable should ONLY be plugged into the 2-pin power receptacle provided. Insertion of the cable into any other slot will damage the Digital Control Adapter unit.

*LX Output is used with CTM Zero, CTM One, DDM Zero and DDM One. DMX Output is used with CTM 1B, CTM1C and DDM 1C.