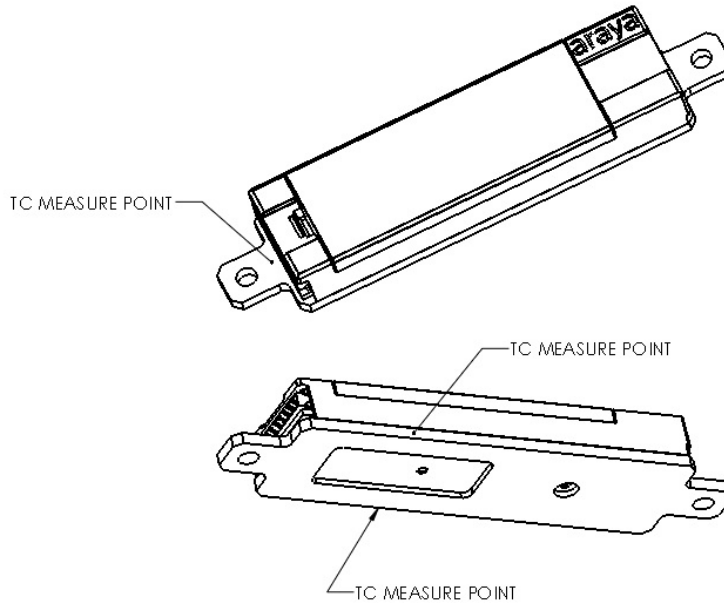


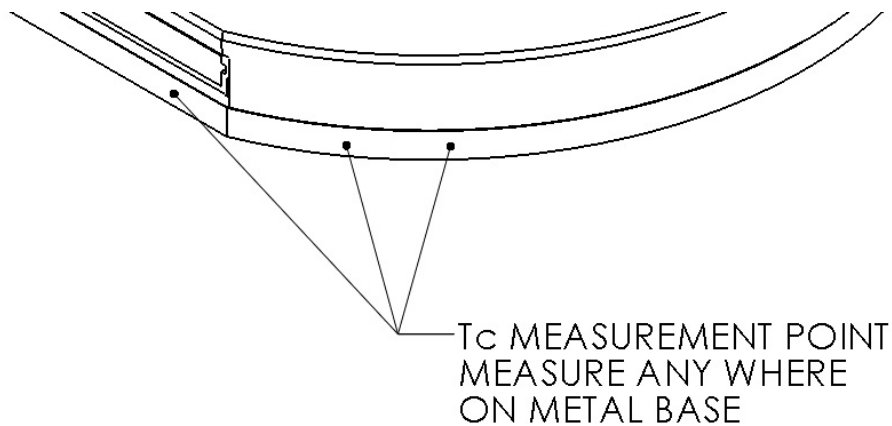
## 8 CASE TEMPERATURE MEASUREMENT POINTS

### 8.1 araya<sup>5</sup> Logic Module (ALM) Case Temperature (T<sub>c</sub>) Measurement Points



MAXIMUM CASE TEMPERATURE (T<sub>c</sub>) FOR ALM: 70°C

### 8.2 Round LED Array Case Temperature (T<sub>c</sub>) Measurement Point



Maximum Case Temperature (T<sub>c</sub>) for Round LED Array: 90°C