

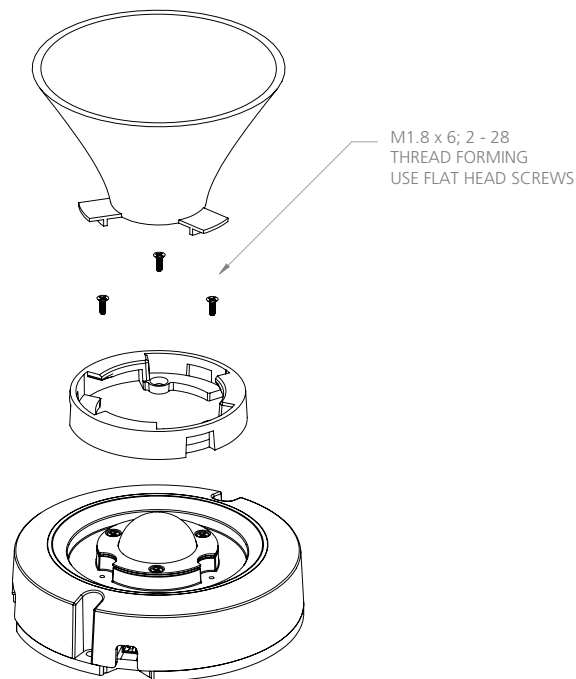
6 SECONDARY OPTICS

6.1 Attaching Compatible DDM 0ND Reflectors

The DDM 0ND accepts twist-to-lock reflectors with an attachment collar. The fastener specifications are shown in the following table while mounting hole locations are shown in the figure below.

DDM 0ND Secondary Optics Fastener Specifications

DDM 0ND Reflector	Fastener specifications	Screw length	Notes
Twist Lock w/ Collar	2 - 28; M1.8 x 6	6 mm (1/4")	Thread forming; use flat head screws



DDM 0ND Twist-Lock Style Reflectors with attachment collars

6 SECONDARY OPTICS

6.2 Compatible Reflectors

Compatible Reflectors for DDM 0ND:

Manufacturer	M. Part Number	beam angle (deg)	outer dim (mm)	height (mm)	optical finish	optical finish 2	attach method
ACL	5850(S)HGL FAC		71.5	55	specular	faceted	twist lock
Widegerm	3207T-XC	38	82	46	diffuse	none	twist lock
Diffraction Optics	P7899 (XSA-22)	40	49.3	28.6	specular	faceted	twist lock
Diffraction Optics	P6764 (XSA-21)	56	50	29	specular	none	twist lock
Diffraction Optics	P6680	40	70	42	specular	none	twist lock
khatod	1682 ST	20	65	35	diffuse	none	TE Type 2 clip
khatod	1683 ST	24	65	35	diffuse	none	TE Type 2 clip
khatod	1685 ST	32	65	35	diffuse	none	TE Type 2 clip
khatod	1688 ST	38	65	35	diffuse	none	TE Type 2 clip
khatod	1690 ST	50	65	35	diffuse	none	TE Type 2 clip
khatod	1691 ST	56	65	35	diffuse	none	TE Type 2 clip
Alux Luxar	TLC 700	14	108 / 120	66.2	specular	faceted	screw
Alux Luxar	XLC 1300	17.6	120	65.6	diffuse	panel	screw
Alux Luxar	XLC 100	18	94	50.3	specular	faceted	screw
Alux Luxar	XLC 200	22	94	49.5	diffuse	panel	screw
Alux Luxar	XLC 1400	25	120	65.6	diffuse	faceted	screw
Alux Luxar	TLC 1000	26	108 / 116	66.1	diffuse	panel	screw
Alux Luxar	XLC 400	27	94	49.5	diffuse	faceted	screw
Alux Luxar	XLC 1100	27	120	65.7	diffuse	faceted	screw
Alux Luxar	TLC 900	54	108 / 120	66.2	diffuse	faceted	screw
nata	3991E	35.7	75	43	specular	super faceted	none
nata	3993E	40	85	50.5	specular	super faceted	none

NOTE: Reflectors have been recommended based on independent optical tests conducted by Lumenetix, and should be used as guidelines. Final reflector evaluation should be made by fixture manufacturers with all optics in place.