

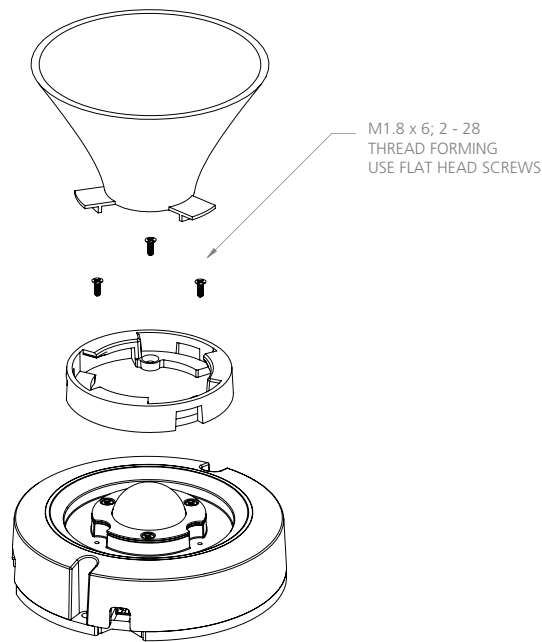
## 6 SECONDARY OPTICS

### 6.1 Attaching Compatible CTM 0ND Reflectors

The CTM 0ND accepts twist-to-lock reflectors with an attachment collar. The fastener specifications are shown in the following table while mounting hole locations are shown in the figure below.

CTM 0ND Secondary Optics Fastener Specifications

CTM 0ND Reflector	Fastener specifications	Screw length	Notes
Twist Lock w/ Collar	2 - 28; M1.8 x 6	6 mm (1/4")	Thread forming; use flat head screws



CTM 0ND Twist-Lock Style Reflectors with attachment collars

## 6 SECONDARY OPTICS

### 6.2 Compatible Reflectors

Compatible Reflectors for CTM 0ND (1650K-4000K):

Manufacturer	M. Part Number	beam angle (deg)	outer dim (mm)	height (mm)	optical finish	optical finish 2	attach method
Widgerm	2070T-XC	50	70	44	specular	none	twist lock
Widgerm	3207T-XC	38	82	46	diffuse	none	twist lock
Widgerm	4201T-XM	13	111	69	specular	faceted, square	twist lock
Widgerm	1009T-XC	38	49	30.5	specular	faceted	twist lock
Diffraction Optics	P6762	40	50	29	specular	none	twist lock
Diffraction Optics	P7076	20	94.4	83	specular	faceted	twist lock
Diffraction Optics	P7899	40	49.3	28.6	specular	faceted	twist lock
Diffraction Optics	P6764	56	50	29	specular	none	twist lock
Diffraction Optics	P6643	20	70	42	specular	none	twist lock
Diffraction Optics	P4769	40	54.1	42.3	specular	none	twist lock
khatod	1682 CR	11	65	35	specular	none	TE Type 2 clip/ TBD*
khatod	1682 ST	20	65	35	diffuse	none	TE Type 2 clip/ TBD*
khatod	1685 ST	32	65	35	diffuse	none	TE Type 2 clip/ TBD*
khatod	1688 CR	38	65	35	specular	none	TE Type 2 clip/ TBD*
khatod	1688 ST	38	65	35	diffuse	none	TE Type 2 clip/ TBD*
khatod	1690 ST	50	65	35	diffuse	none	TE Type 2 clip/ TBD*
Nata	4-1406-E	20.3	110	66.2	specular	faceted^2	none
Nata	3990E	23.2	75	43	specular	faceted^2	none
Nata	3991E	35.7	75	43	specular	faceted^2	none
Nata	3992E	24.8	85	50.5	specular	faceted^2	none
Nata	3993E	40	85	50.5	specular	faceted^2	none
Top Lighting	XSA-13	22	70	43	specular	none	none
Top Lighting	XSA-14	46	70	43	specular	none	none
Top Lighting	XSA-15	60	70	43	specular	none	none

\* Requires custom adapter ring for mounting (not included). Please consult factory for details.

Compatible Reflectors for CTM 0ND (2700K-6000K):

Manufacturer	M. Part Number	beam angle (deg)	outer dim (mm)	height (mm)	optical finish	optical finish 2	attach method
Khatod	1682 ST	20	65	35	diffuse	none	TE Type 2 clip
Khatod	1683 ST	24	65	35	diffuse	none	TE Type 2 clip
Khatod	1687 ST	31	65	35	diffuse	none	TE Type 2 clip
Khatod	1688 ST	38	65	35	diffuse	none	TE Type 2 clip
Khatod	1691 ST	56	65	35	diffuse	none	TE Type 2 clip

NOTE: Reflectors have been recommended based on independent optical tests conducted by Lumenetix, and should be used as guidelines. Final reflector evaluation should be made by fixture manufacturers with all optics in place.