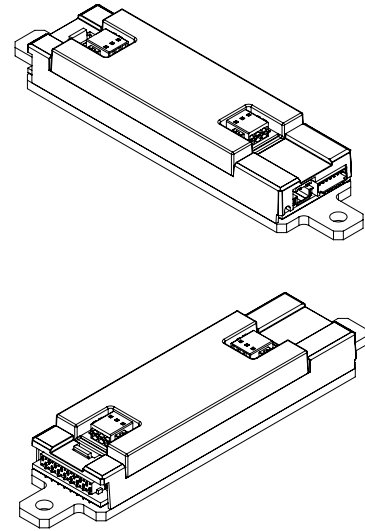
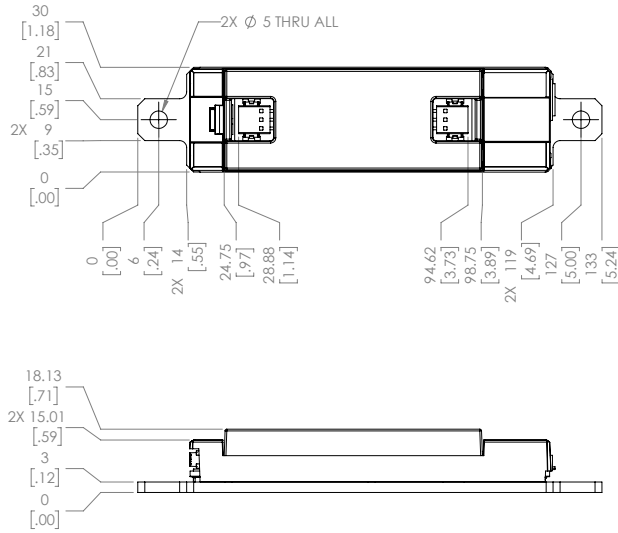


## 5 DMX512-A ACCESSORY BOARD

### 5.1 araya<sup>5</sup> Logic Module with DMX512-A-RDM Accessory Board

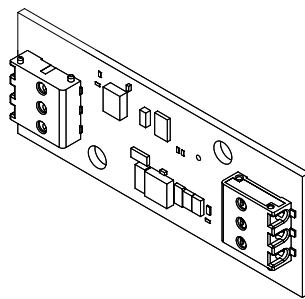
ALM Dimensions (H x W x L)	H = 17.61 mm (0.69 in.); W = 30 mm (1.18 in.); L = 133 mm (5.24 in.)
----------------------------	--



araya<sup>5</sup> Logic Module with DMX Accessory Board and Cover  
Dimensions outside parentheses are in millimeters. Dimensions within parentheses are in inches.  
The mounting holes are 5 mm in diameter.

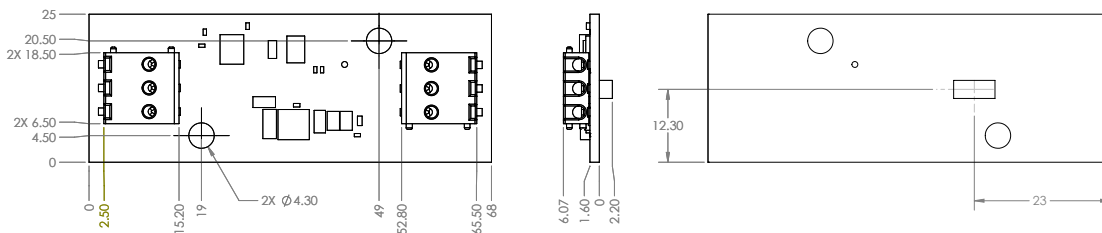
### 5.2 Mechanical Specifications (DMX512-A-RDM Accessory Board)

Lumenix part #:  
80.003.001.01



Wire Specifications:  
20-26 AWG, solid wire or tin-dipped stranded

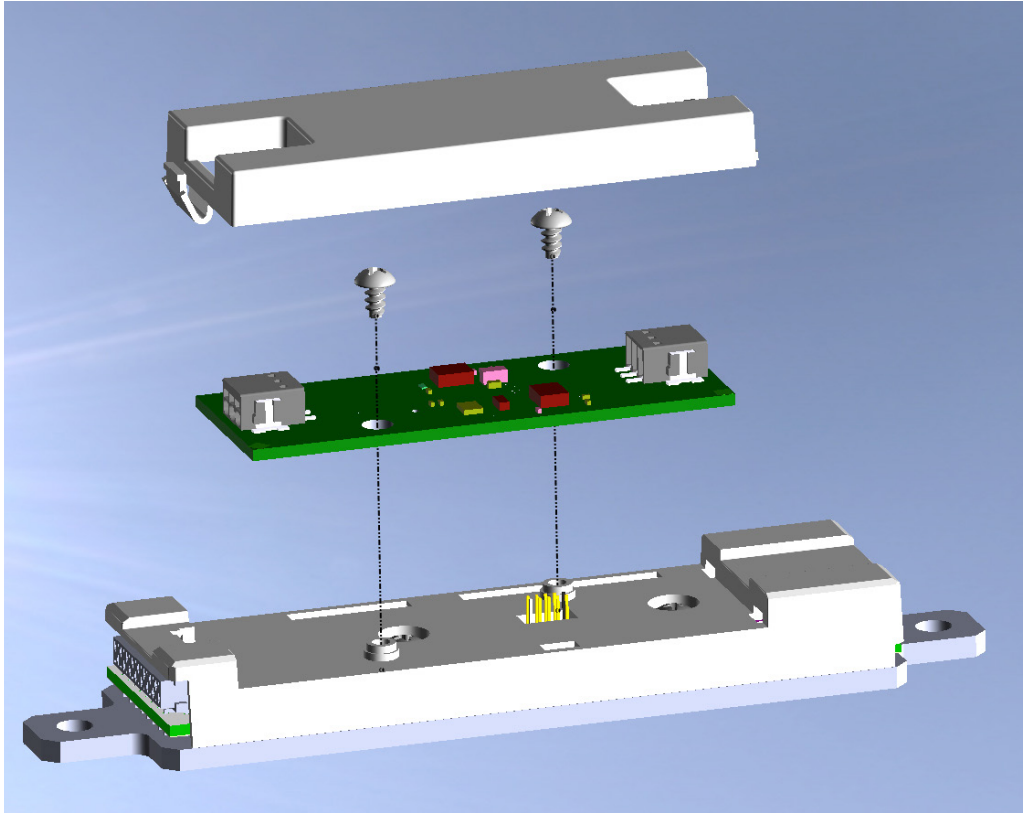
Connector:  
Phoenix Contact 1771033



DMX Accessory Board  
All dimensions are in millimeters.

## 5 DMX512-A ACCESSORY BOARD

### 5.3 Mounting Specifications (DMX Accessory Board)



The Accessory Board is mounted on the 10-pin header and located on the two bosses, and then captured in place to the ALM with two (2) self-tapping screws.

**Screw Specifications:** Phillips Rounded Head Thread-Forming Screws for Plastic, 18-8 Stainless Steel, Number 4 Size, 1/8" Long; McMasterCarr # 99461A105.

**Torque Specifications:** 2.0 to 2.5 in-lb

**CAUTION:** The screws are very small and are self-threaded into small plastic bosses. Overtorquing will strip the plastic and damage the ALM housing.