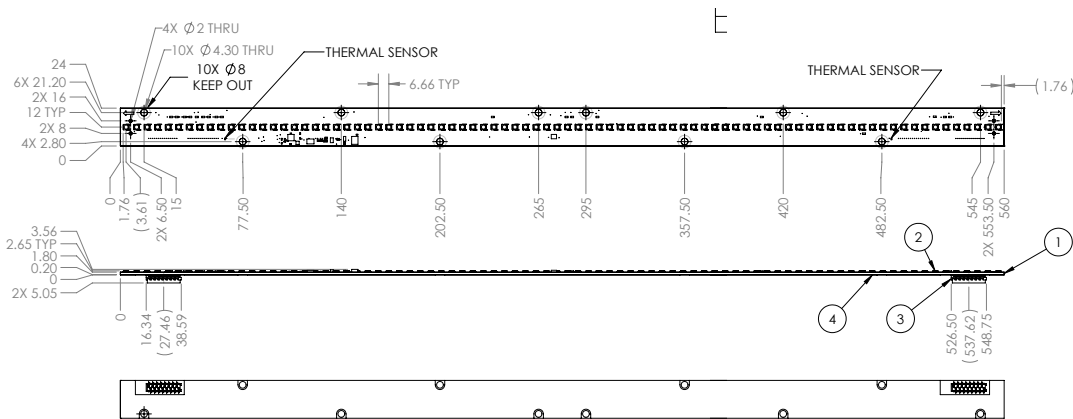


4 MECHANICAL SPECIFICATIONS

4.1.1 Linear LED Array Kits

Array Dimensions (W x L)	W = 24 mm (nominal 0.94 in.); L = 2240 mm (nominal 88 in.)
8 feet array (four 2 feet boards)	W = 24 mm (nominal 0.94 in.); L = 2240 mm (nominal 88 in.)
7 feet array (three 2 ft. boards and one 1 ft. board)	W = 24 mm (nominal 0.94 in.); L = 1960 mm (nominal 77 in.)
6 feet array (three 2 feet boards)	W = 24 mm (nominal 0.94 in.); L = 1680 mm (nominal 66 in.)
5 feet array (two 2 ft. boards and one 1 ft. board)	W = 24 mm (nominal 0.94 in.); L = 1400 mm (nominal 55 in.)
4 feet array (two 2 feet boards)	W = 24 mm (nominal 0.94 in.); L = 1120 mm (nominal 44 in.)
3 feet array (one 2 ft. board and one 1 ft. board)	W = 24 mm (nominal 0.94 in.); L = 840 mm (nominal 33 in.)
2 feet array (one 2 ft. board)	W = 24 mm (nominal 0.94 in.); L = 560 mm (nominal 22 in.)
1 foot array (one 1 ft. board)	W = 24 mm (nominal 0.94 in.); L = 280 mm (nominal 11 in.)

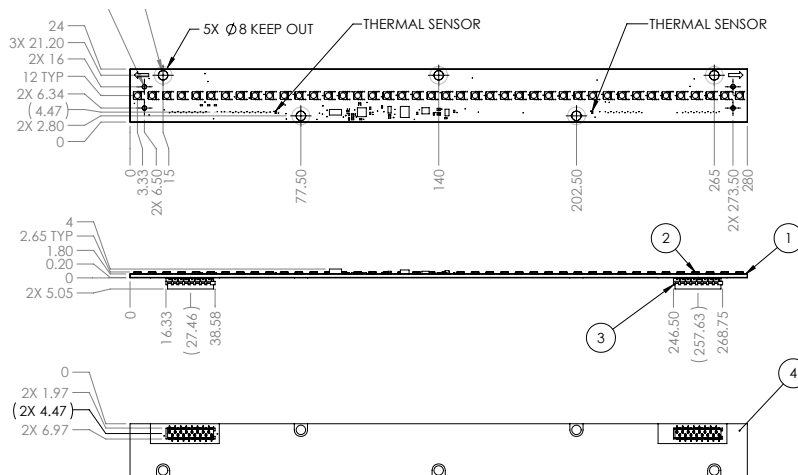
Standard linear arrays are made up of a combination of 1 ft. and 2 ft. boards as per above. Other requested board lengths may be available.



araya⁵ Linear LED Board (2000 lumens; 2 ft. Nominal Length)

All dimensions are in millimeters. Linear board is shown with downward-facing connector on the bottom.

ITEM NO.	PART NUMBER	QTY.
1	22.700.022.01 1 PCBA 2 FOOT LUMENETIX	1
2	lumileds 3535L	84
3	462.038 16 PIN CONNECTOR 8-188275-6	2
4	67.700.002.02 B LTM2 INSULATOR PAD 2FT LX	1



araya⁵ Linear LED Board (1000 lumens; 1 ft. Nominal Length)

All dimensions are in millimeters. Linear board is shown with downward-facing connector on the bottom.

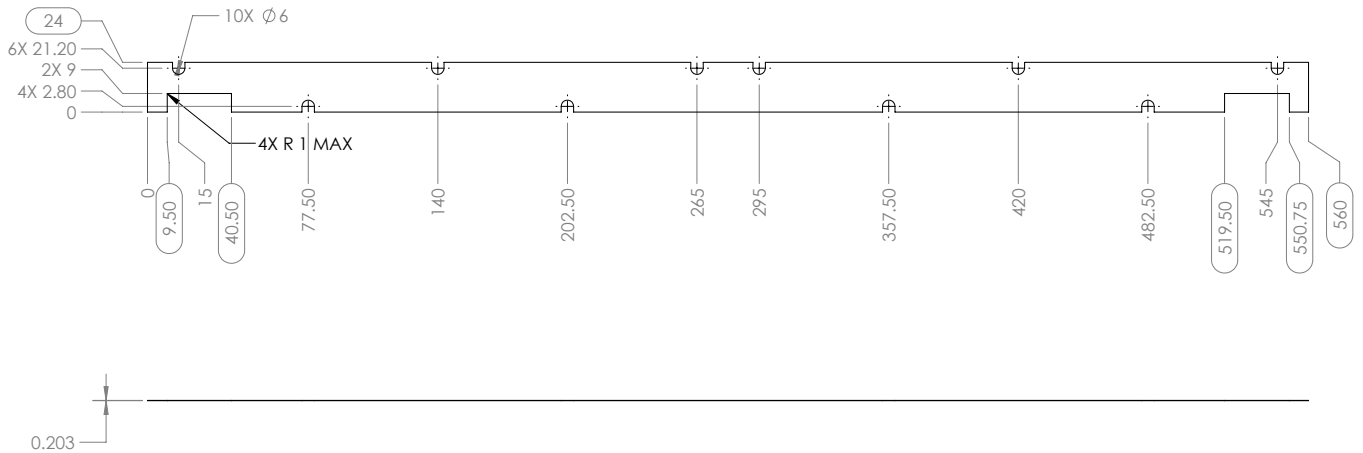
ITEM NO.	PART NUMBER	QTY.
1	22.700.025.01 1 MLTM PCB 1 FT LUMENETIX	1
2	lumileds 3535L	42
3	462.038 16 PIN CONNECTOR 8-188275-6	2
4	67.700.002.01 B LTM2 INSULATOR PAD 1FT LX	1

4 MECHANICAL SPECIFICATIONS

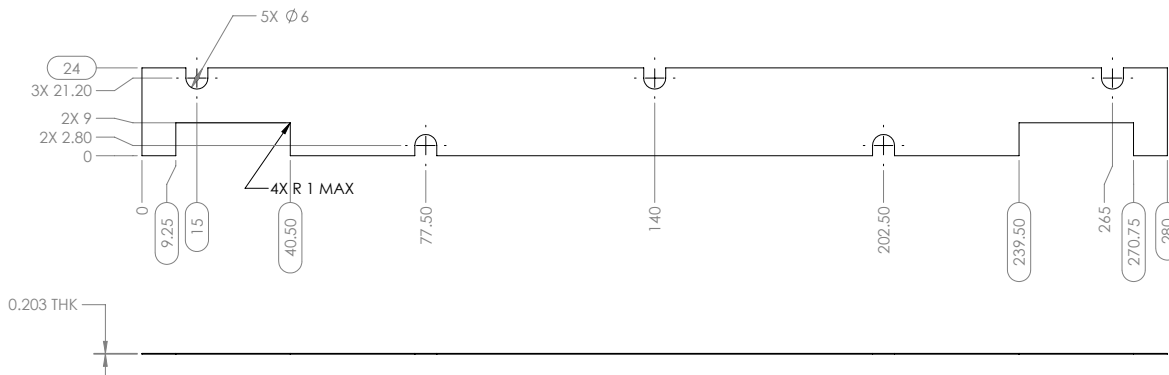
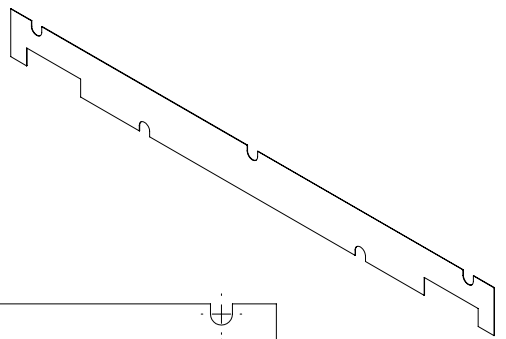
4.1.2 Heat Sinking / Electrical Insulation of LTM2 Boards

To ensure proper electrical insulation between the linear arrays and heat sink, the linear arrays are provided with a pre-applied double sided adhesive insulating tape. This thermal pad insulates electrically while also allowing the heat to flow from the LED board to the luminaire's heat sink.

Be sure to remove the plastic liner before attaching the linear array to the heat sink.



araya⁵ Thermal Pad for Linear LED Board (2 ft. Nominal Length)
All dimensions are in millimeters.



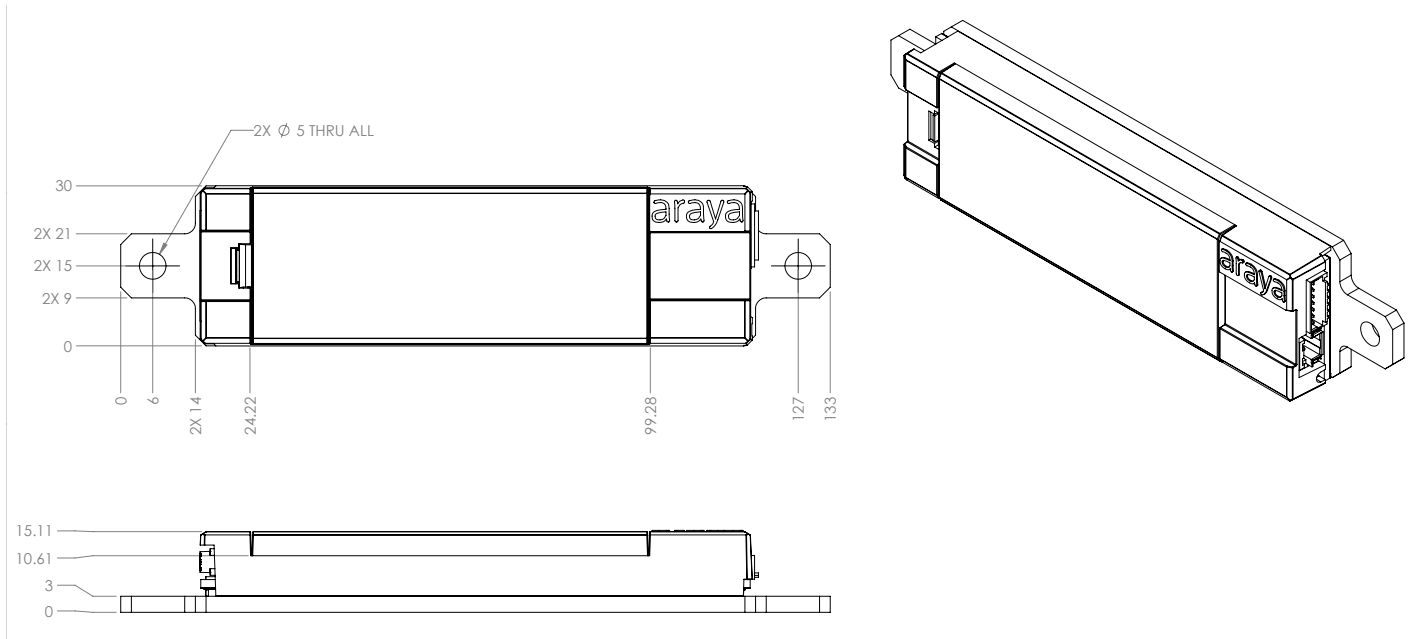
araya⁵ Thermal Pad for Linear LED Board (1 ft. Nominal Length)
All dimensions are in millimeters.

4 MECHANICAL SPECIFICATIONS

4.2 araya⁵ Logic Module

ALM Dimensions (H x W x L)	H = 15.11 mm (0.60 in.); W = 30 mm (1.18 in.); L = 133 mm (5.24 in)
----------------------------	---

Dimensions provided are for the ALM without optional accessory boards.



araya⁵ Logic Module

All dimensions are in millimeters. The mounting holes are 5 mm in diameter.