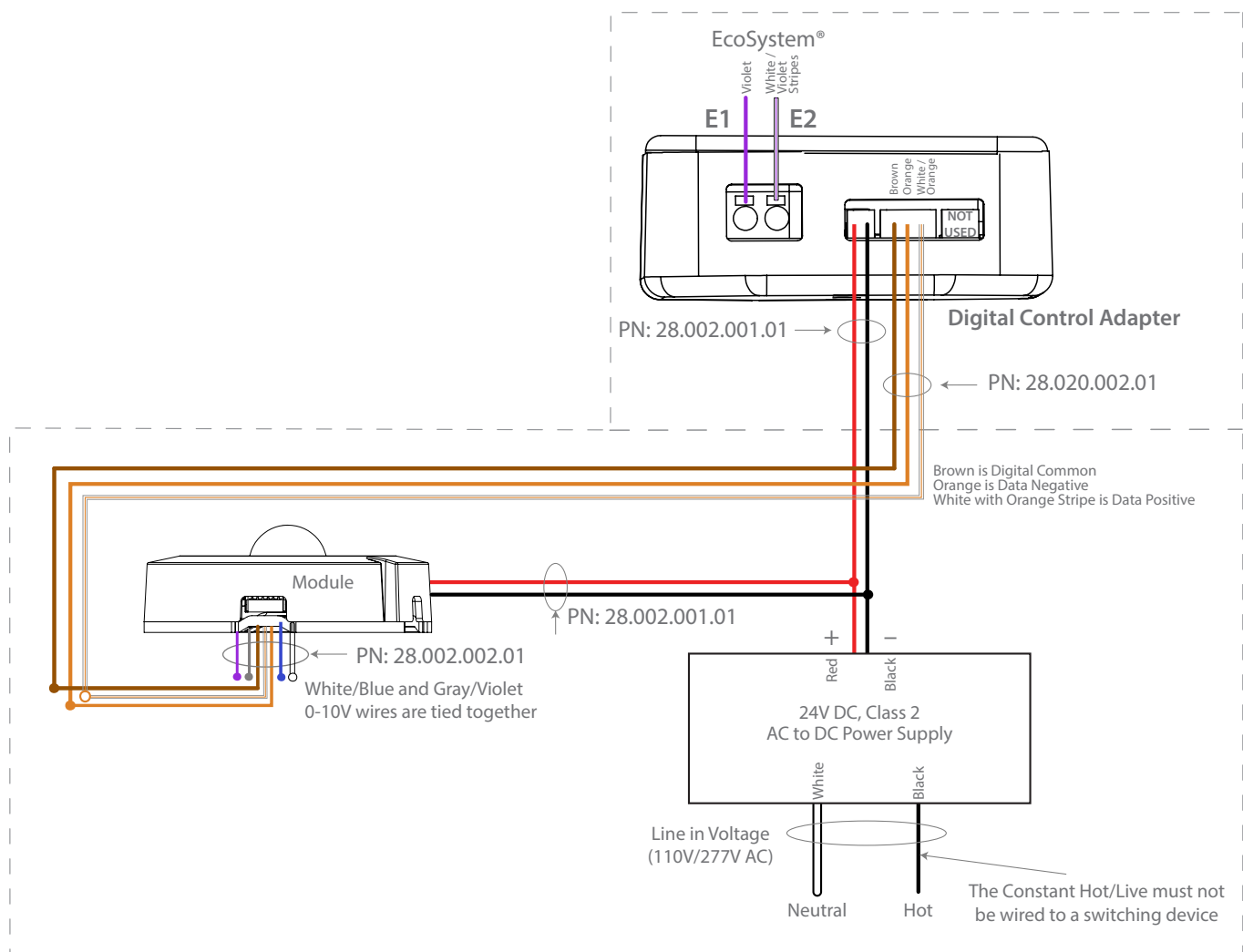


5 WIRING DIAGRAMS

5.1.1 EcoSystem Input / Lux Output (24V DC) DDM Zero (one channel); CTM Zero (two channel)

Notes:

1. 24V power (red/black) is Class-2 rated.
2. Module Data +/- (white with orange stripe/orange) to araya⁵ modules is Class-2 rated.
3. Adapter is configured at factory for EcoSystem inputs.
4. DCA may be installed in the luminaire or at the control system.
5. One EcoSystem address (1 channel for warm-dim) per DDM module/DCA kit.
6. Two EcoSystem addresses (1 channel for CCT control and 1 channel for dimming control) per CTM module/DCA kit.
7. EcoSystem Channel 1 is always Intensity Level. EcoSystem Channel 2 is always CCT Preset.
8. In the EcoSystem programming mode, EcoSystem Channel 1 (Intensity Level) will cycle through the dimming range (100%-1%) to identify channel. EcoSystem Channel 2 (CCT Preset) will cycle through the CCT range of the module to identify channel.
9. CAUTION: The power cable should ONLY be plugged into the 2-pin power receptacle provided. Insertion of the cable into any other slot will damage the Digital Control Adapter unit.

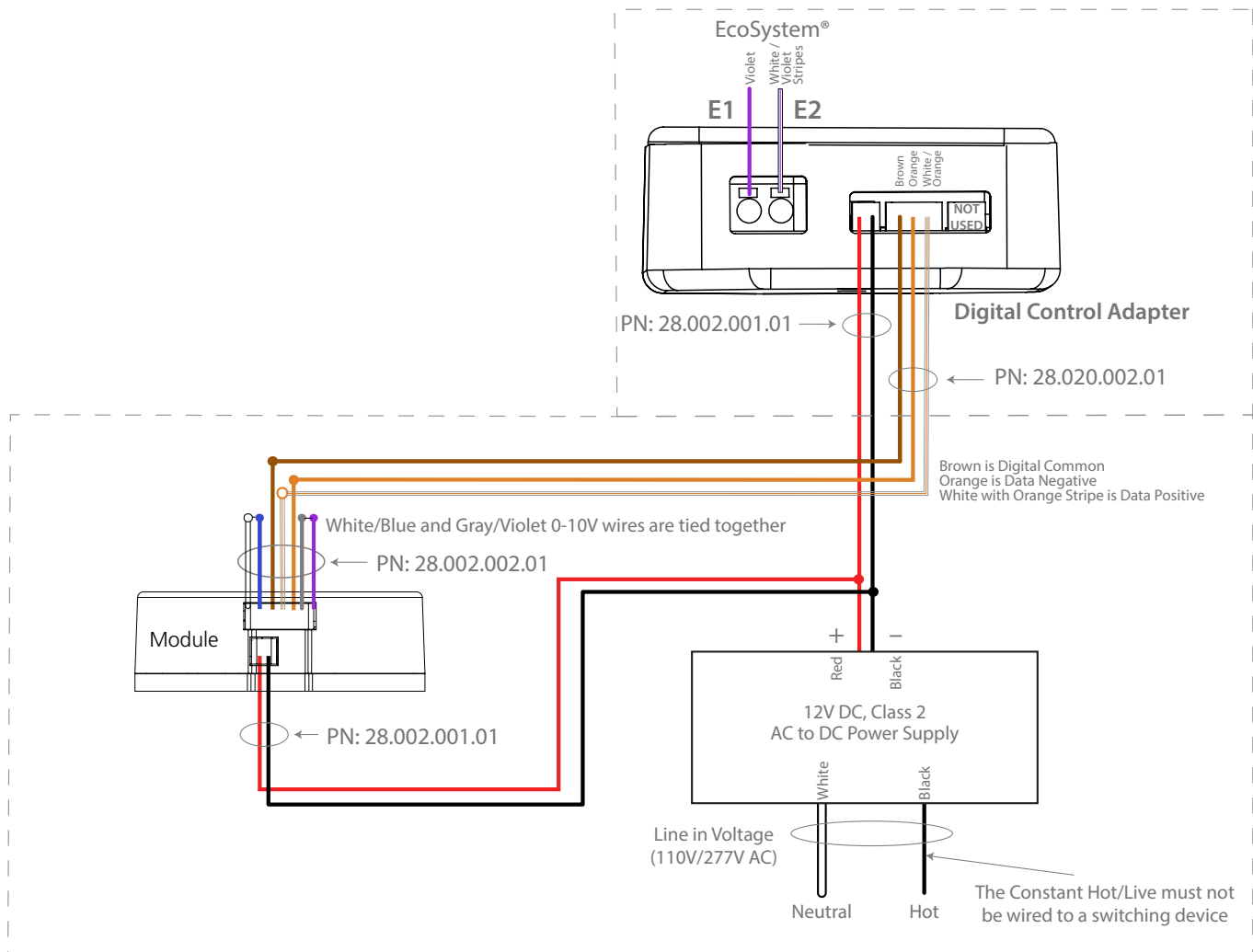


5 WIRING DIAGRAMS

5.1.2 EcoSystem Input / Lux Output (12V DC) DDM One (one channel); CTM One (two channel)

Notes:

1. 12V power (red/black) is Class-2 rated.
2. Module Data +/- (white with orange stripe/orange) to araya⁵ modules is Class-2 rated.
3. Adapter is configured at factory for EcoSystem inputs.
4. DCA may be installed in the luminaire or at the control system.
5. One EcoSystem address (1 channel for warm-dim) per DDM module/DCA kit.
6. Two EcoSystem addresses (1 channel for CCT control and 1 channel for dimming control) per CTM module/DCA kit.
7. EcoSystem Channel 1 is always Intensity Level. EcoSystem Channel 2 is always CCT Preset.
8. In the EcoSystem programming mode, EcoSystem Channel 1 (Intensity Level) will cycle through the dimming range (100%-1%) to identify channel. EcoSystem Channel 2 (CCT Preset) will cycle through the CCT range of the module to identify channel.
9. CAUTION: The power cable should ONLY be plugged into the 2-pin power receptacle provided. Insertion of the cable into any other slot will damage the Digital Control Adapter unit.

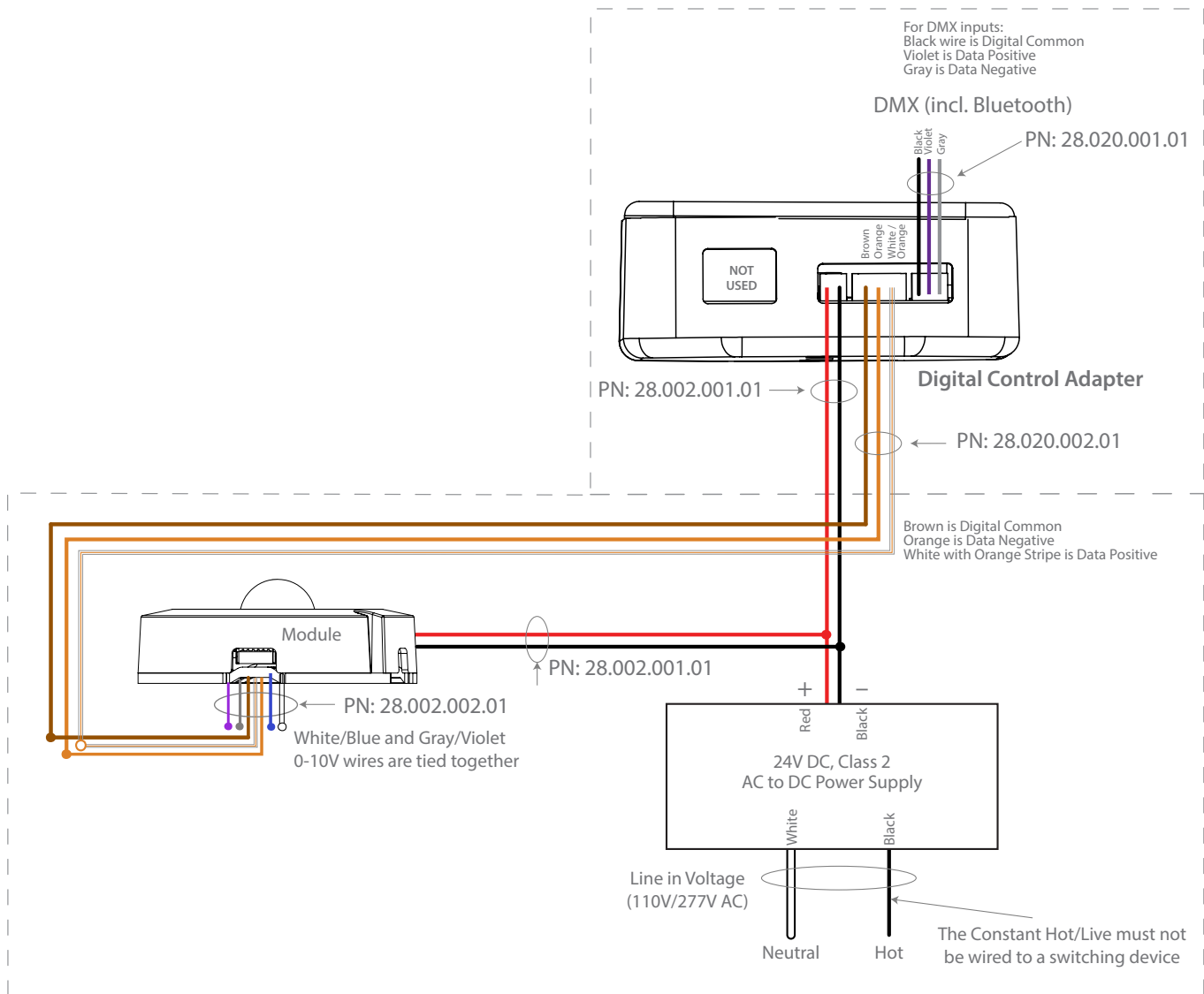


5 WIRING DIAGRAMS

5.2.1 DMX Input / Lux Output (24V DC) DDM Zero; CTM Zero

Notes:

1. 24V power (red/black) is Class-2 rated.
2. Module Data +/- (white with orange stripe/orange) to araya⁵ modules is Class-2 rated.
3. Adapter is configured at factory for DMX (including Bluetooth) inputs.
4. DCA may be installed in the luminaire or at the control system.
5. CAUTION: The power cable should ONLY be plugged into the 2-pin power receptacle provided. Insertion of the cable into any other slot will damage the Digital Control Adapter unit.

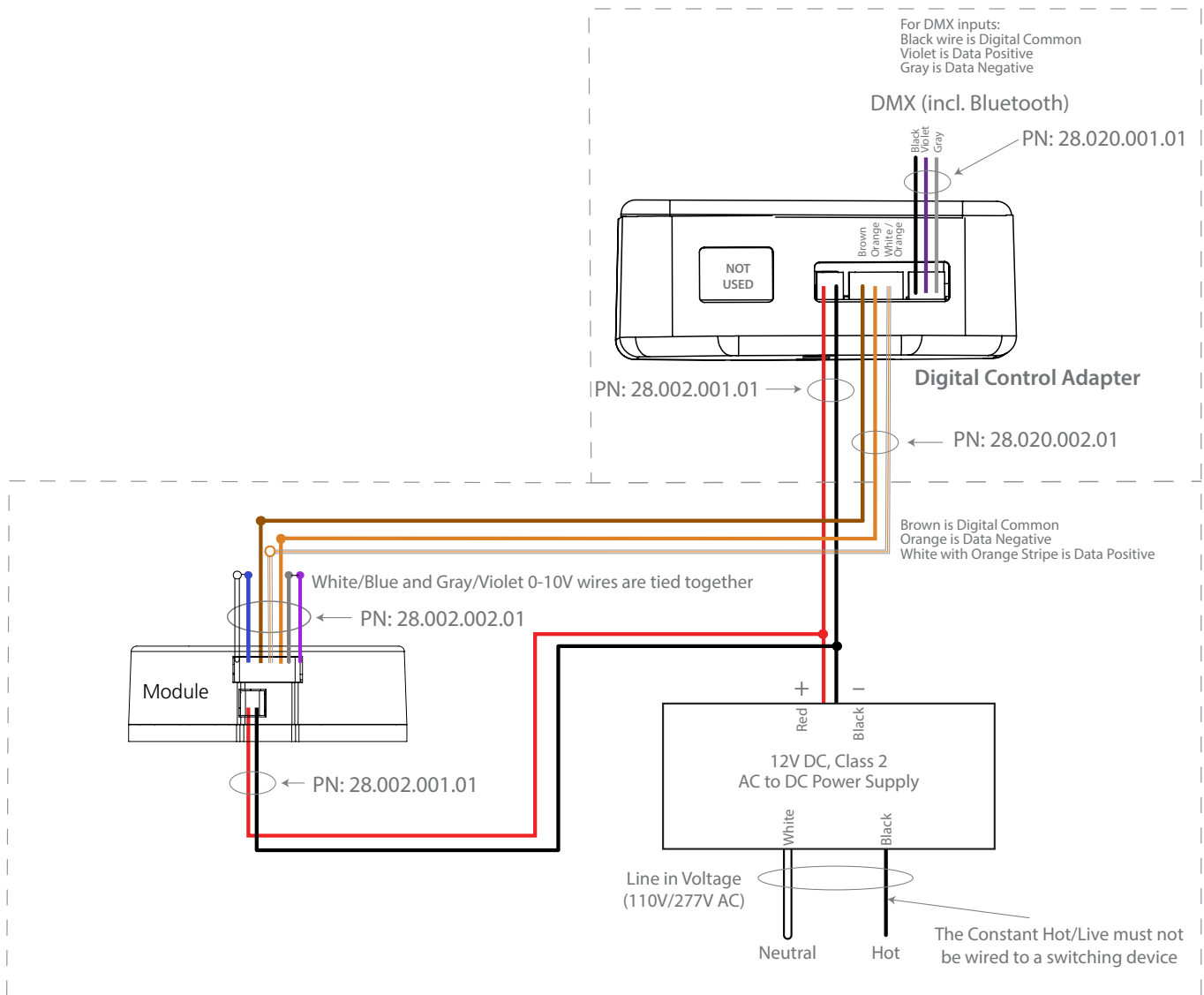


5 WIRING DIAGRAMS

5.2.2 DMX Input / Lux Output (12V DC) DDM One; CTM One

Notes:

1. 12V power (red/black) is Class-2 rated.
2. Module Data +/- (white with orange stripe/orange) to araya⁵ modules is Class-2 rated.
3. Adapter is configured at factory for DMX (including Bluetooth) inputs.
4. DCA may be installed in the luminaire or at the control system.
5. CAUTION: The power cable should ONLY be plugged into the 2-pin power receptacle provided. Insertion of the cable into any other slot will damage the Digital Control Adapter unit.

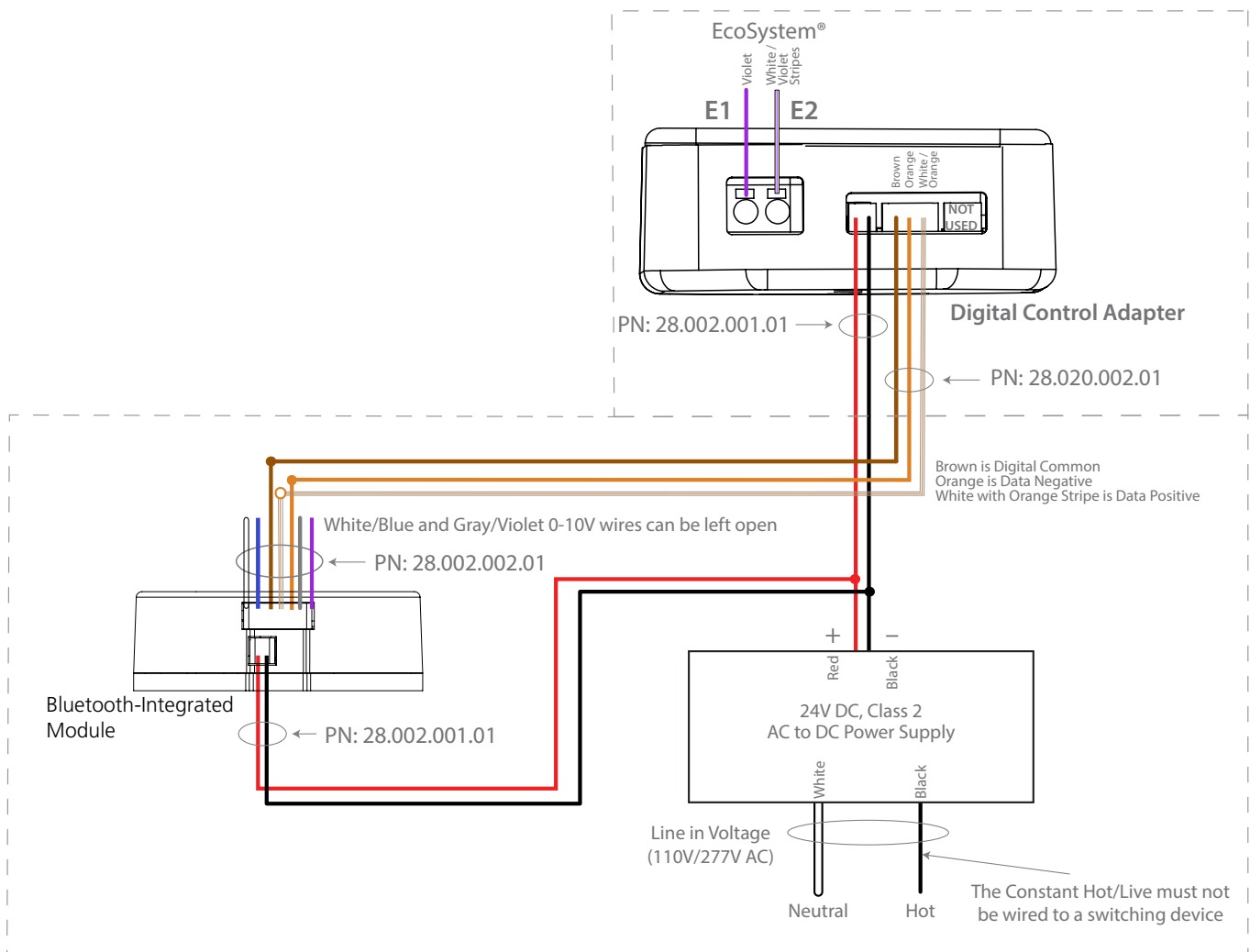


5 WIRING DIAGRAMS

5.3.1 EcoSystem Input / DMX Output (24V DC) DDM 1C, Bluetooth-integrated (one channel) CTM 1C, Bluetooth-integrated (two channel)

Notes:

1. 24V power (red/black) is Class-2 rated.
2. Module Data +/- (white with orange stripe/orange) to araya⁵ modules is Class-2 rated.
3. Adapter is configured at factory for EcoSystem inputs. The araya⁵ Tunable Color 2.0 iOS App should be turned on, and the DMX channels should be set to 2, 4, 6, 8.
4. DCA may be installed in the luminaire or at the control system.
5. One EcoSystem address (1 channel for warm-dim) per DDM module/DCA kit.
6. Two EcoSystem addresses (1 channel for CCT control and 1 channel for dimming control) per CTM module/DCA kit.
7. EcoSystem Channel 1 is always Intensity Level. EcoSystem Channel 2 is always CCT Preset.
8. In the EcoSystem programming mode, EcoSystem Channel 1 (Intensity Level) will cycle through the dimming range (100%-1%) to identify channel. EcoSystem Channel 2 (CCT Preset) will cycle through the CCT range of the module to identify channel.
9. CAUTION: The power cable should ONLY be plugged into the 2-pin power receptacle provided. Insertion of the cable into any other slot will damage the Digital Control Adapter unit.



5 WIRING DIAGRAMS

5.3.2 EcoSystem Input / DMX Output (12V DC) CTM 1B, Bluetooth-integrated (two channel)

Notes:

1. 12V power (red/black) is Class-2 rated.
2. Module Data +/- (white with orange stripe/orange) to araya⁵ modules is Class-2 rated.
3. Adapter is configured at factory for EcoSystem inputs. The araya⁵ Tunable Color 2.0 iOS App should be turned on, and the DMX channels should be set to 2, 4, 6, 8.
4. DCA may be installed in the luminaire or at the control system.
5. Two EcoSystem addresses (1 channel for CCT control and 1 channel for dimming control) per CTM module/DCA kit.
6. EcoSystem Channel 1 is always Intensity Level. EcoSystem Channel 2 is always CCT Preset.
7. In the EcoSystem programming mode, EcoSystem Channel 1 (Intensity Level) will cycle through the dimming range (100%-1%) to identify channel. EcoSystem Channel 2 (CCT Preset) will cycle through the CCT range of the module to identify channel.
8. CAUTION: The power cable should ONLY be plugged into the 2-pin power receptacle provided. Insertion of the cable into any other slot will damage the Digital Control Adapter unit.

