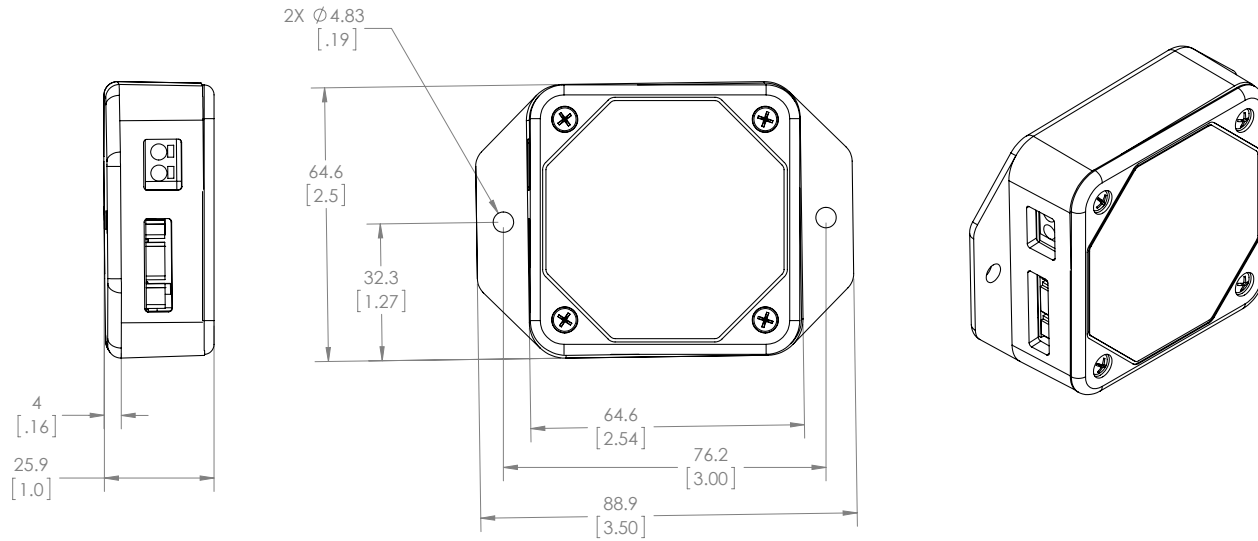


## 2 MECHANICAL DRAWING & WIRING SPECIFICATIONS

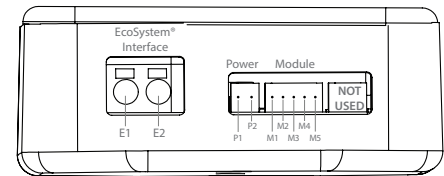
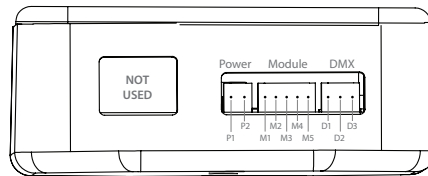
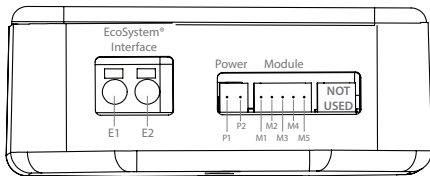
### Mechanical Drawing



Side view – araya<sup>5</sup> Digital Control Adapter  
(EcoSystem input, Lux Output)  
DCA-1

Side view – araya<sup>5</sup> Digital Control Adapter  
(DMX input, Lux Output)  
DCA-1

Side view – araya<sup>5</sup> Digital Control Adapter  
(EcoSystem input, DMXOutput)  
DCA-2



### Wiring Specifications

	Pin	Wire Color	Pin Function	Wiring Description
EcoSystem Interface (Input)	E1	Violet	Non-polarized Bus Terminal	2 Position Terminal Block 16 AWG solid wire Lutron PN: C-CBL-216-GR-1
	E2	Violet / White		
Power	P1	Red	Power 12V DC or 24V DC (+)	2 Position Molex Pico-SPOX Lumenetix PN: 28.002.001.01
	P2	Black	Power Common (-)	
Module Interface (Lux or DMX Output)	M1	N/A	Future use	5 Position Molex Pico-SPOX Lumenetix PN: 28.020.002.01
	M2	N/A	Reserved for future use	
	M3	Brown	Digital Common	
	M4	Orange	araya <sup>®</sup> Module Bus, Data -	
DMX Interface (Input)	M5	White with Orange Stripe	araya <sup>®</sup> Module Bus, Data +	3 Position Molex Pico-SPOX 24 AWG stranded wire Lumenetix PN: 28.020.001.01
	D1	Black	Digital Common	
	D2	Violet	DMX Data +	
	D3	Gray	DMX Data -	

CAUTION: The power cable should ONLY be plugged into the 2-pin power receptacle provided. Insertion of the cable into any other slot will damage the Digital Control Adapter unit.