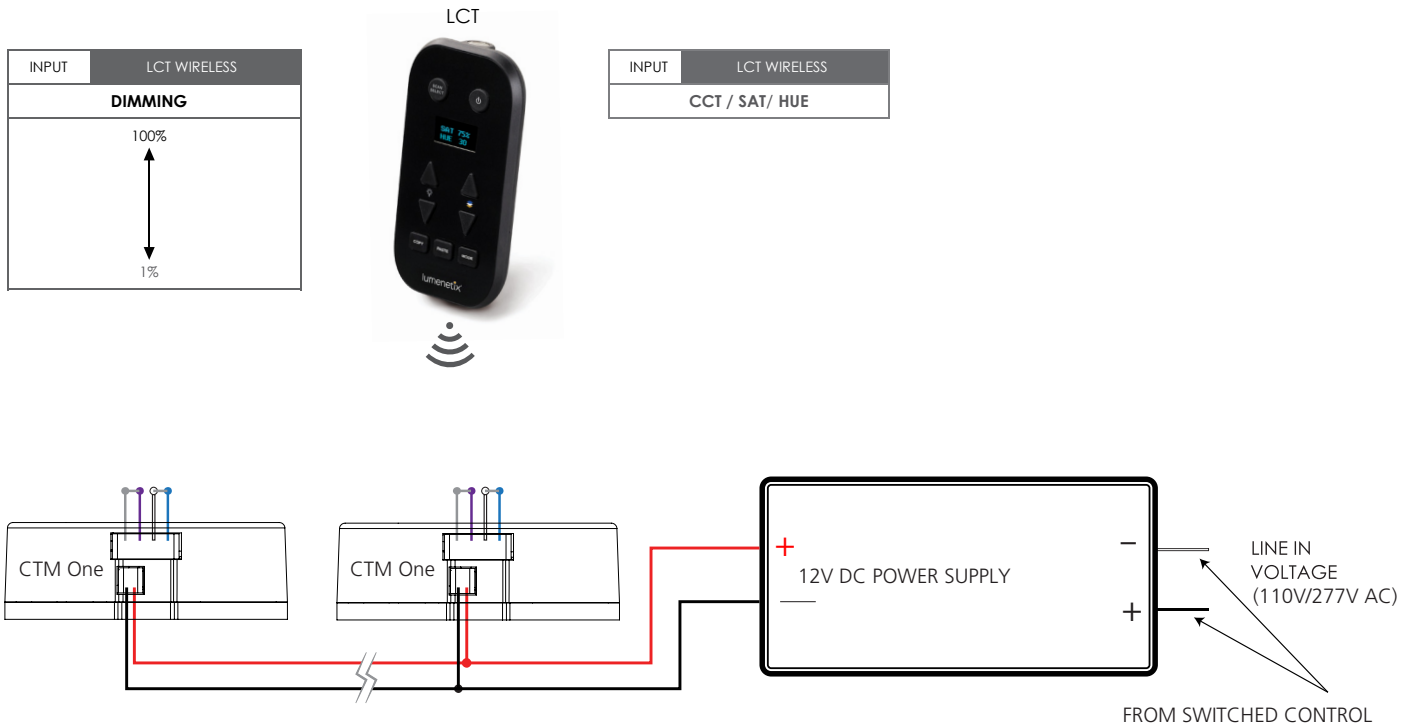


10 WIRING DIAGRAMS

10.1 Wireless Operation using LCT (to control CCT, Dimming, Saturation and Hue)

Wireless Operation. CTM is shipped with the wireless mode enabled as the two pairs of control wires are grounded. In this mode the Light Commissioning Tool (LCT) provides complete control of the CCT, Dimming, Saturation & Hue.



Lead Color and Input

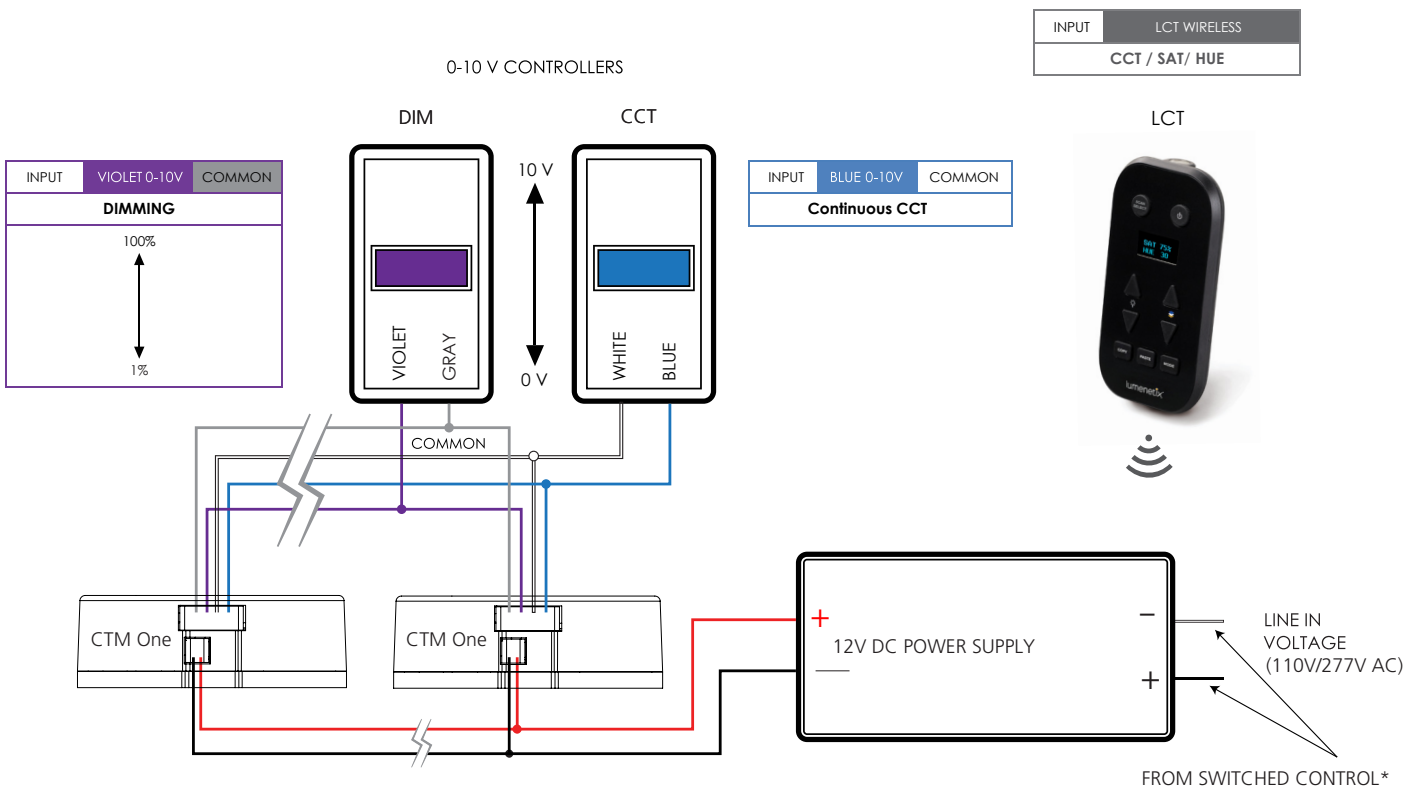
Lead Color	Input
Red	Power 12V DC (+)
Black	Power Common (-)
Violet	0-10V Dimming + (Tied to Gray Common)
Gray	Signal Common for 0-10V Dimming (-)
Blue	0-10V Color + (Tied to White Common)
White	Signal Common for 0-10V Color (-)

Lumenetix part #s:
28.002.001.01 (power cable assembly)
28.002.002.01 (control cable assembly)

10 WIRING DIAGRAMS

10.2 0-10V Control of Continuous CCT & Dimming / LCT Control of Saturation & Hue

0-10V Continuous CCT Control. Remove power from the CTM. Connect a 0-10V control device to the blue (+) and white (-) wires. When the CTM is powered up, the 0-10V control will adjust the CCT over the tunable range. The Light Commissioning Tool (LCT) will control Saturation and Hue. A 0-10V control may also be added for dimming (as shown). LCT adjustments to Dimming levels are a percentage of the 0-10V Dim setting (Trim). If a 0-10V control is not used for dimming, the violet (+) and gray (-) wires must be grounded together.



Lead Color and Input

Lead Color	Input
Red	Power 12V DC (+)
Black	Power Common (-)
Violet	0-10V Dimming (+)
Gray	Signal Common for 0-10V Dimming (-)
White	Signal Common for 0-10V Color (-)
Blue	0-10V Color (+)

Lumenetix part #:
28.002.001.01 (power cable assembly)
28.002.002.01 (control cable assembly)

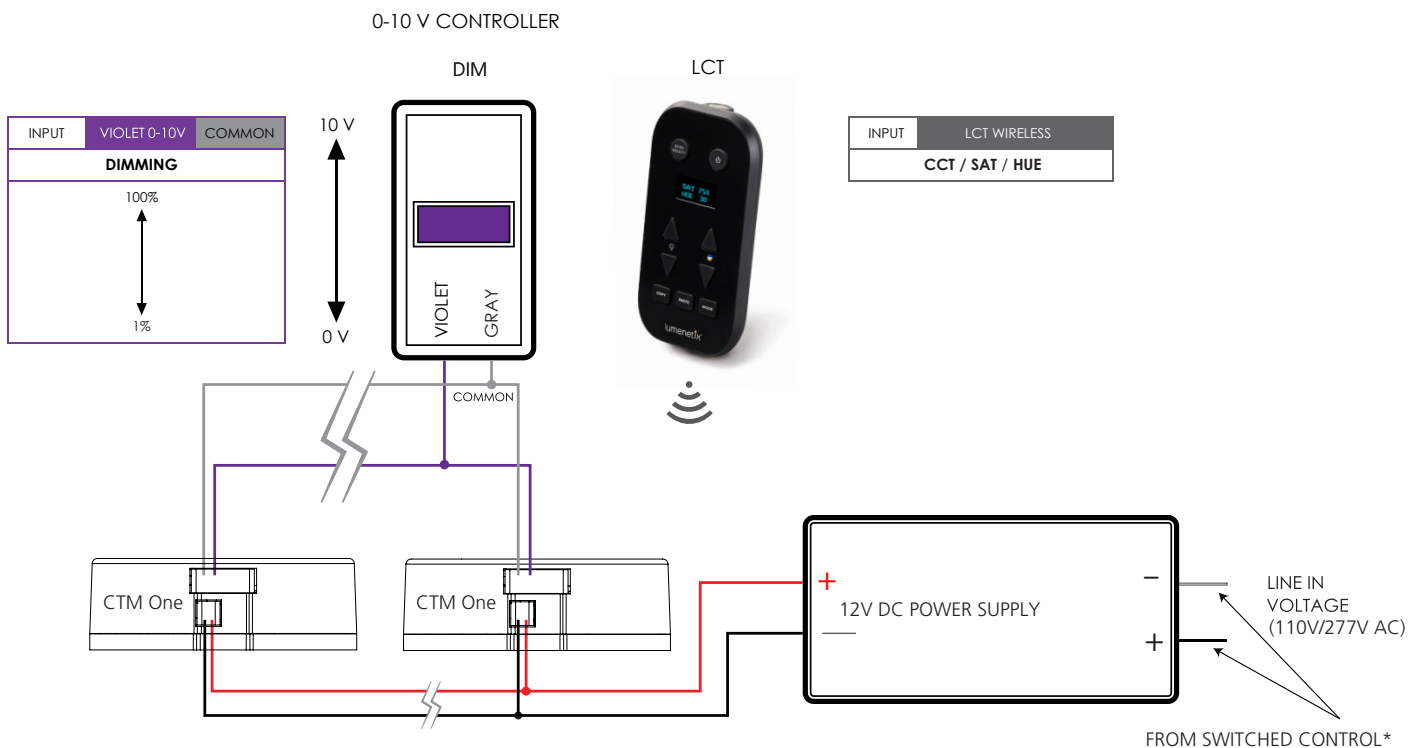
Notes:

1. If SceneSet® is not activated using the LCT, the CTM defaults to 0-10V control of the continuous CCT range.
2. If 0-10V control is not being used for dimming, the violet control lead must be grounded to gray common lead.
3. CTM sources current to 0-10V control at 0.2mA nominal capacity.
4. *If using a wall box dimmer, power only the DIM unit. The CCT unit does not get line-in voltage.

10 WIRING DIAGRAMS

10.3 0-10V Control of Dimming / LCT Control of CCT, Saturation and Hue

0-10V Dimming Control Only. Remove power from the CTM. Connect a 0-10V control device to violet (+) and gray (-) wires. When the CTM is powered up, the 0-10V control device will adjust Dimming from 100-1%. Use the Light Commissioning Tool (LCT) to set CCT, Dimming, Saturation, and Hue to the desired levels and use Copy and Paste functions to match lamp settings. In this configuration, the LCT trims the dimming level, i.e., adjustments to Dimming levels as a percentage of the 0-10V Dimming setting (Trim). Preset controls are not available in this configuration.



Lead Color and Input

Lead Color	Input
Red	Power 12V DC (+)
Black	Power Common (-)
Violet	0-10V Dimming (+)
Gray	Signal Common for 0-10V Dimming (-)
White	Signal Common for 0-10V Color (-)
Blue	0-10V Color (Connect to White Common)

Notes:

1. CTM sources current to 0-10V control at 0.2mA nominal capacity.
2. Only pins 1 and 6 are used on the control cable assembly.
3. *If using a wall box dimmer, power only the DIM unit. The CCT unit does not get line-in voltage.

Lumenetix part #s:

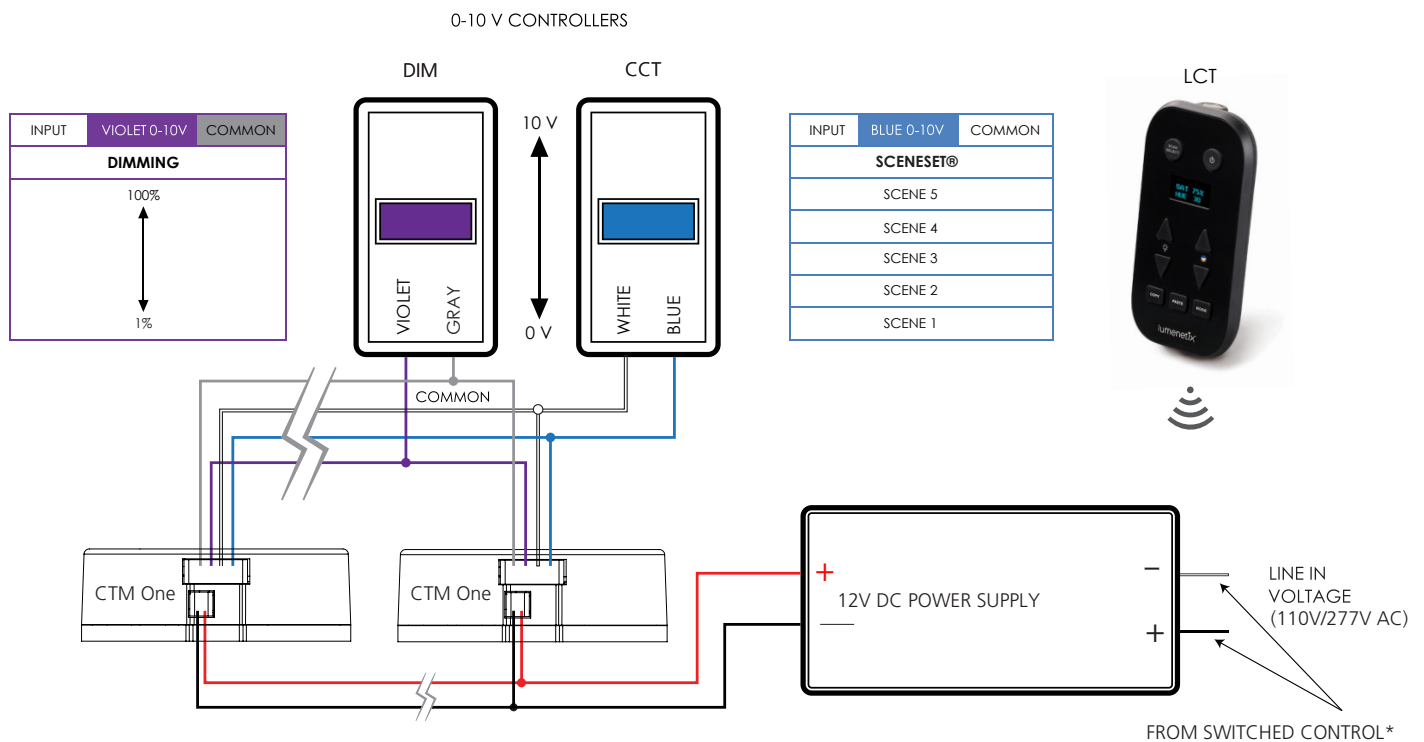
28.002.001.01 (power cable assembly)

28.002.002.01 (control cable assembly)

10 WIRING DIAGRAMS

10.4 0-10V Control of SceneSet® / LCT to Set or Amend SceneSet®

0-10V Preset Control. Remove power from the CTM. Connect a 0-10V control device to the blue (+) and white (common) wires. Use the Light Commissioning Tool (LCT) to set, store and enable up to five preset scenes comprised of CCT, Dimming, Saturation and Hue levels. The 0-10V control will toggle between the preset scenes. A 0-10V control may also be added for dimming (as shown) and will proportionally Dim from the stored value in the preset. If a 0-10V control is not used for dimming, the violet (+) and gray (common) wires must be grounded together.



Lead Color and Input

Lead Color	Input
Red	Power 12V DC (+)
Black	Power Common (-)
Violet	0-10V Dimming (+)
Gray	Signal Common for 0-10V Dimming (-)
White	Signal Common for 0-10V Presets (-)
Blue	0-10V Presets (+)

Lumenetix part #s:
28.002.001.01 (power cable assembly)
28.002.002.01 (control cable assembly)

Notes:

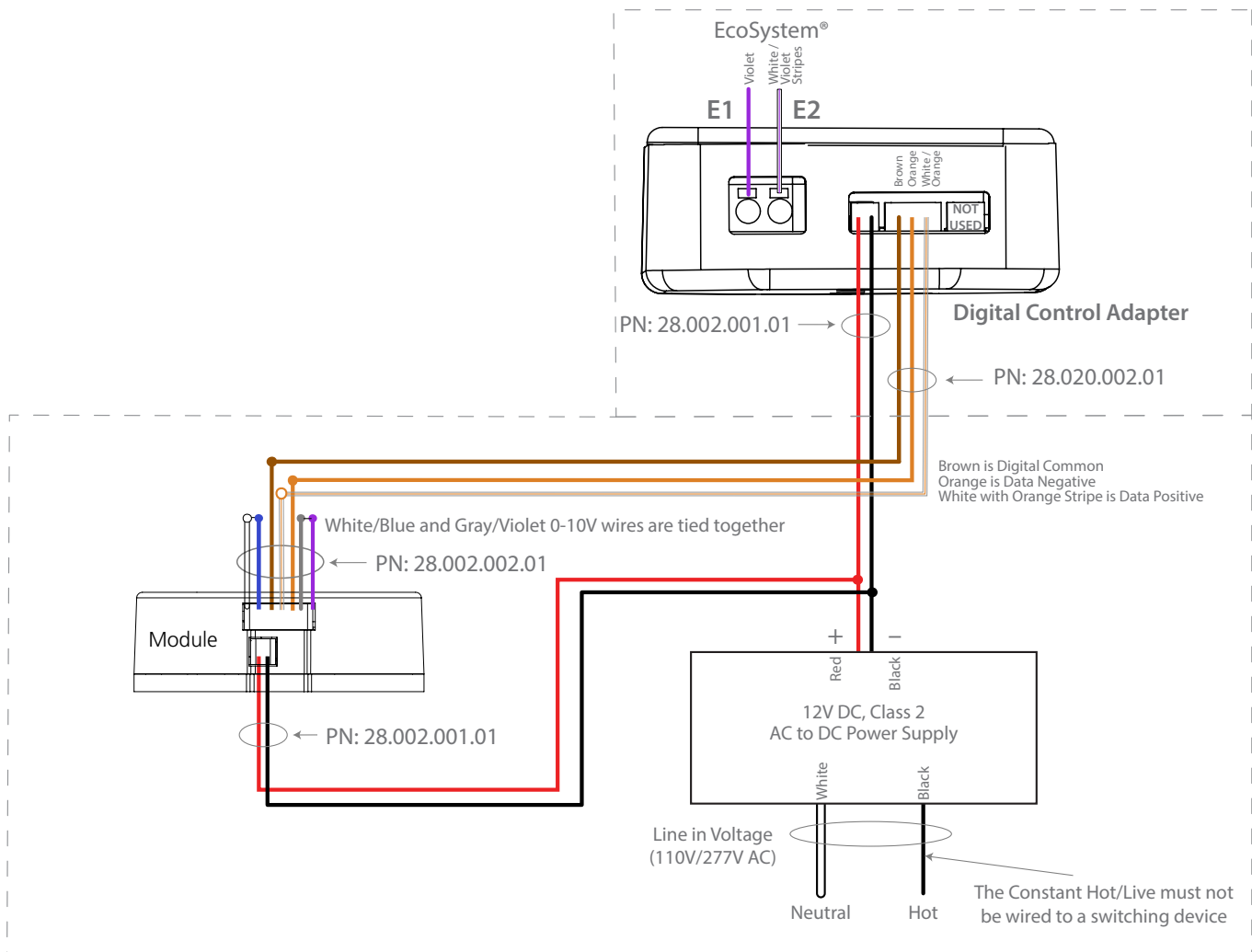
1. SceneSet® is commissioned and activated using the LCT. See LCT operating instructions.
2. If 0-10V control is not being used for dimming, the violet control lead must be grounded to gray common lead.
3. CTM sources current to 0-10V control at 0.2mA nominal capacity.
4. *If using a wall box dimmer, power only the DIM unit. The CCT unit does not get line-in voltage.

10 WIRING DIAGRAMS

10.5 EcoSystem Input / Lux Output (12V DC) Digital Control Adapter

Notes:

1. 12V power (red/black) is Class-2 rated.
2. Module Data +/- (white with orange stripe/orange) to araya⁵ modules is Class-2 rated.
3. Adapter is configured at factory for EcoSystem inputs.
4. DCA may be installed in the luminaire or at the control system.
5. One EcoSystem address (1 channel for warm-dim) per DDM module/DCA kit.
6. Two EcoSystem addresses (1 channel for CCT control and 1 channel for dimming control) per CTM module/DCA kit.
7. EcoSystem Channel 1 is always Intensity Level. EcoSystem Channel 2 is always CCT Preset.
8. In the EcoSystem programming mode, EcoSystem Channel 1 (Intensity Level) will cycle through the dimming range (100%-1%) to identify channel. EcoSystem Channel 2 (CCT Preset) will cycle through the CCT range of the module to identify channel.
9. CAUTION: The power cable should ONLY be plugged into the 2-pin power receptacle provided. Insertion of the cable into any other slot will damage the Digital Control Adapter unit.



10 WIRING DIAGRAMS

10.6 DMX Input / Lux Output (12V DC) Digital Control Adapter

Notes:

1. 12V power (red/black) is Class-2 rated.
2. Module Data +/- (white with orange stripe/orange) to araya⁵ modules is Class-2 rated.
3. Adapter is configured at factory for DMX (including Bluetooth) inputs.
4. DCA may be installed in the luminaire or at the control system.
5. CAUTION: The power cable should ONLY be plugged into the 2-pin power receptacle provided. Insertion of the cable into any other slot will damage the Digital Control Adapter unit.

