

2 ELECTRICAL AND MECHANICAL SPECIFICATIONS

Electrical Specifications

Input Voltage	12V DC
Nominal Power Input	12.5 and 20 Watts
Nominal Current Input	12.5W: 0.96A; 20W: 1.7A
Power Supply Classification	Class 2
Power Connector	Molex 874380243 (requires Molex 874390200)
Control Connector	Molex 874370543 (requires Molex 874390700)
Control Options ¹	0 - 10V, DMX512-A-RDM ² , Lutron [®] EcoSystem
CCT and Dimming Control Connections	Connector harness, 24 gauge leads

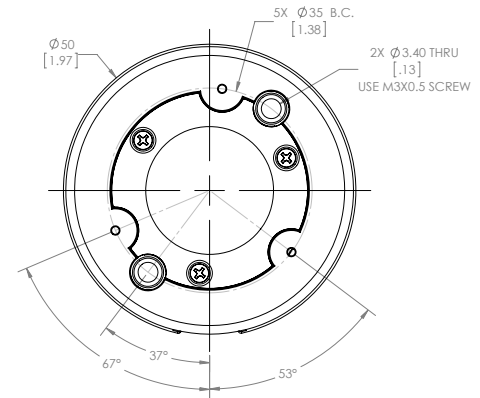
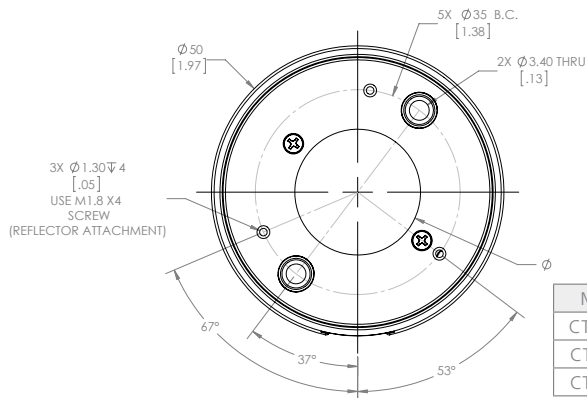
- DMX RDM channel configuration is done via RDM or optional wireless Tunable Color iOS app. Lutron EcoSystem control compatibility requires optional Digital Control Adapter.
- Remote Device Management or RDM is a protocol enhancement to DMX512-A that allows bi-directional communication between a lighting or system controller and attached RDM compliant devices over a standard DMX line.

Mechanical Specifications

Dimensions	Diameter:	1.97 inches (50 mm)
	Height:	0.67 inches (17 mm); CTM 119NR: 0.84 inches (21.44 mm)
Light Emitting Surface	9.5, 12.75 and 22 mm	
Weight	0.12 pounds (0.06kg)	
Heat Sink Attachment	Front mount, M2.5 or 4-40 Screws	
Max Case Temperature	≤80°C	

CTM 119, CTM 112, CTM 109

CTM 119NR – Raised Face



Model	LES Diameter
CTM 109	9.5 mm (0.37 inches)
CTM 112	12.75 mm (0.50 inches)
CTM 119	22 mm (0.87 inches)

