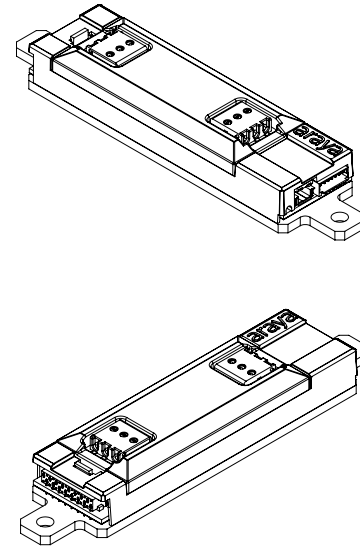
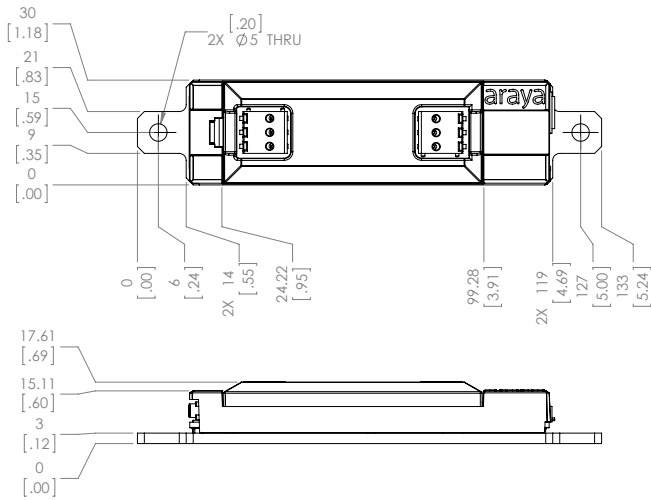


## 5 DMX512-A ACCESSORY BOARD

### 5.1 araya<sup>5</sup> Logic Module with DMX512-A-RDM Accessory Board

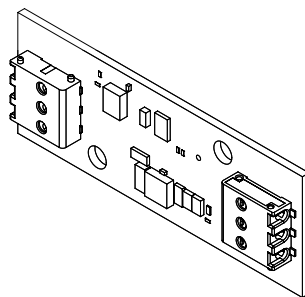
ALM Dimensions (H x W x L)	H = 17.61 mm (0.69 in.); W = 30 mm (1.18 in.); L = 133 mm (5.24 in.)
----------------------------	--



araya<sup>5</sup> Logic Module with DMX Accessory Board and Cover  
Dimensions outside parentheses are in millimeters. Dimensions within parentheses are in inches.  
The mounting holes are 5 mm in diameter.

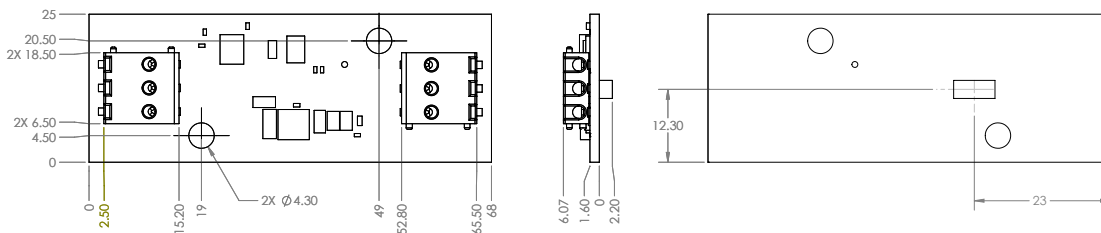
### 5.2 Mechanical Specifications (DMX512-A-RDM Accessory Board)

Lumenix part #:  
80.003.001.01



Wire Specifications:  
20-26 AWG, solid wire or tin-dipped stranded

Connector:  
Phoenix Contact 1771033



DMX Accessory Board  
All dimensions are in millimeters.