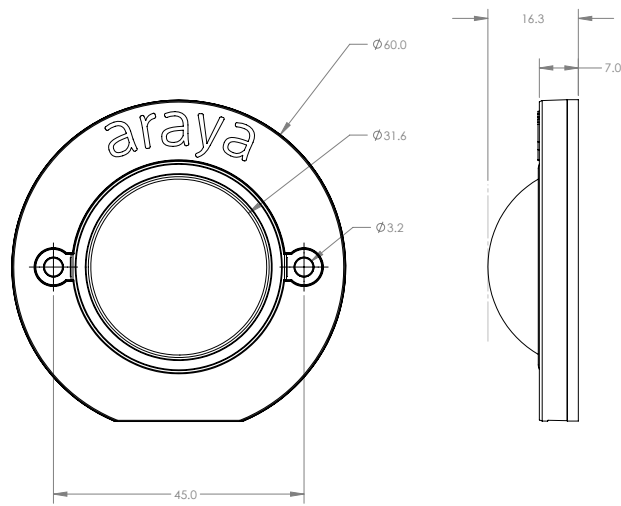


4 MECHANICAL SPECIFICATIONS

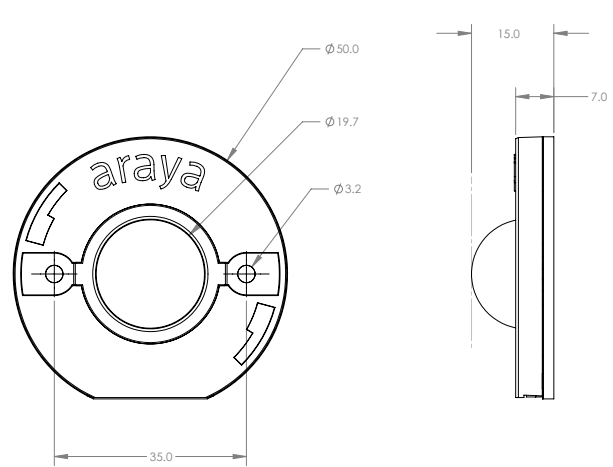
4.1 Round LED Array Kits

Array Dimensions (LES; Diameter 'D'; Height 'H')	LES = 31.6 mm (nominal 1.24 in.)	D = 60 mm (nominal 2.36 in.); H = 16.3 mm (nominal 0.64 in.)
	LES = 19.7 mm (nominal 0.78 in.)	D = 50 mm (nominal 1.97 in.); H = 15 mm (nominal 0.59 in.)
	LES = 12.6 mm (nominal 0.50 in.)	D = 50 mm (nominal 1.97 in.); H = 12.9 mm (nominal 0.51 in.)
	LES = 9.6 mm (nominal 0.38 in.)	D = 40 mm (nominal 1.57 in.); H = 10.1 mm (nominal 0.40 in.)

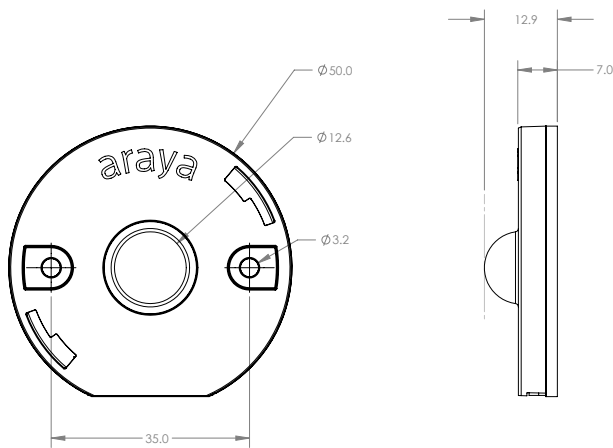
LES = Light Emitting Surface.



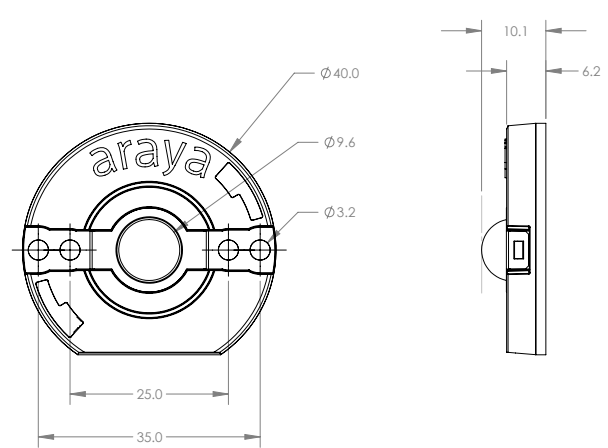
araya⁵ Round LED Array (31.6 mm LES; 5000 lumens)
All dimensions are in millimeters.



araya⁵ Round LED Array (19.7 mm LES; 3000/2000/1500/1200 lumens)
All dimensions are in millimeters.



araya⁵ Round LED Array (12.6 mm LES; 2000 lumens)
All dimensions are in millimeters.



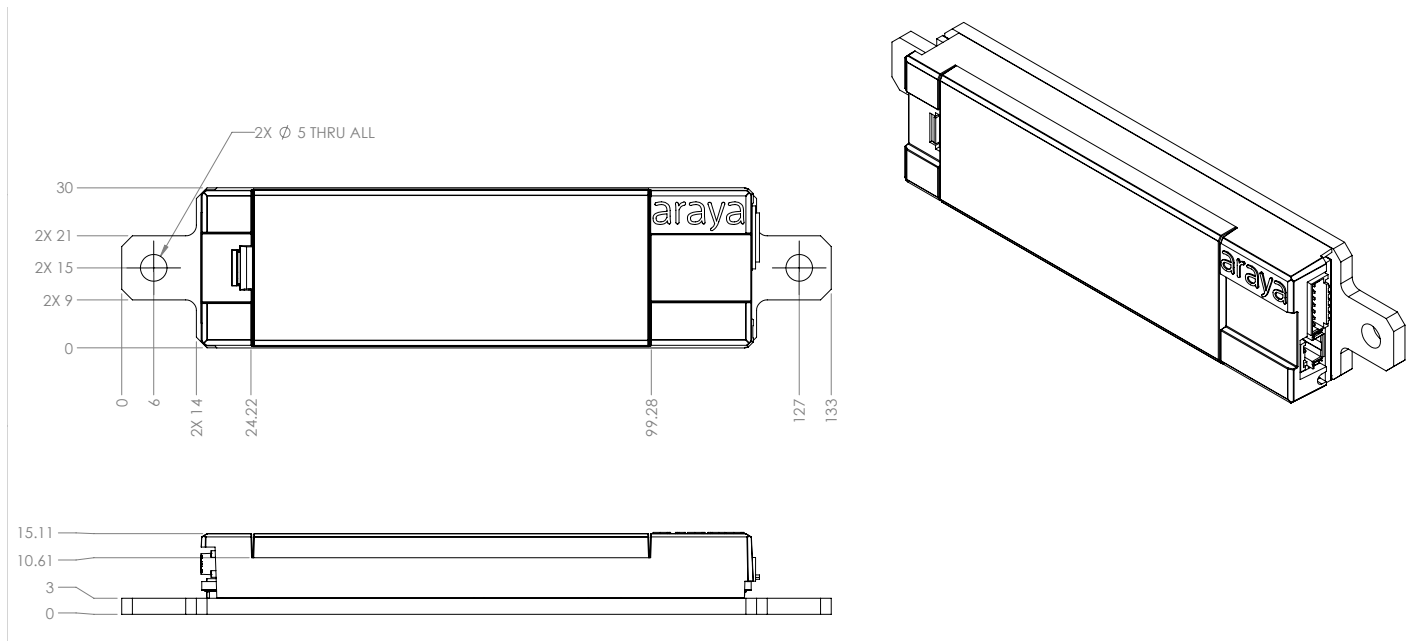
araya⁵ Round LED Array (9.6 mm LES; 1500 lumens)
All dimensions are in millimeters.

4 MECHANICAL SPECIFICATIONS

4.2 araya⁵ Logic Module

ALM Dimensions (H x W x L)	H = 15.11 mm (0.60 in.); W = 30 mm (1.18 in.); L = 133 mm (5.24 in)
----------------------------	---

Dimensions provided are for the ALM without optional accessory boards.



araya⁵ Logic Module

All dimensions are in millimeters. The mounting holes are 5 mm in diameter.