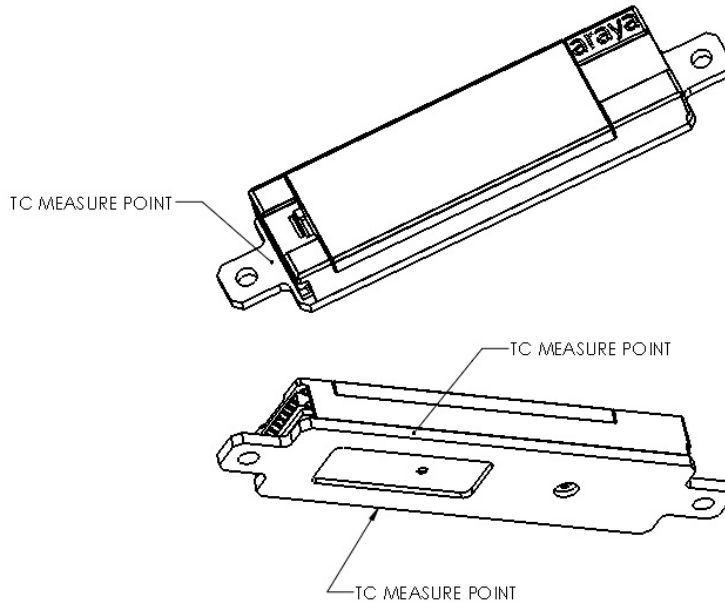


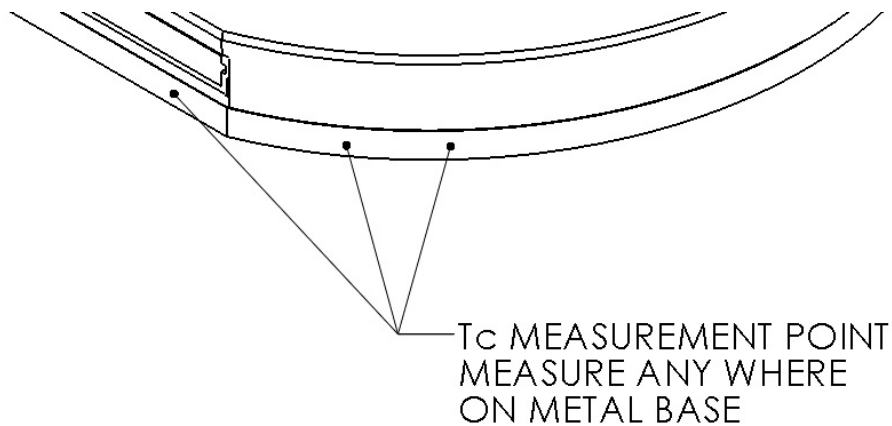
8 CASE TEMPERATURE MEASUREMENT POINTS

8.1 araya⁵ Logic Module (ALM) Case Temperature (T_c) Measurement Points



MAXIMUM CASE TEMPERATURE (T_c) FOR ALM: **70°C**

8.2 Round LED Array Case Temperature (T_c) Measurement Point



Maximum Case Temperature (T_c) for Round LED Array: **90°C**